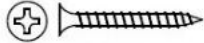





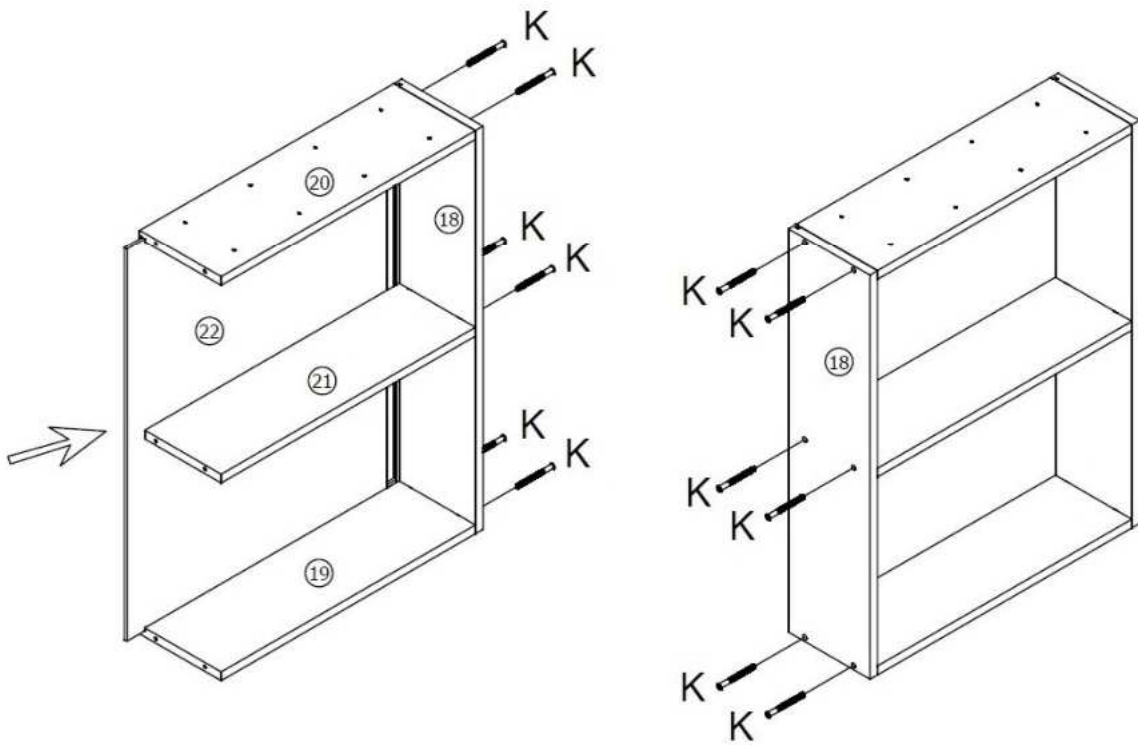
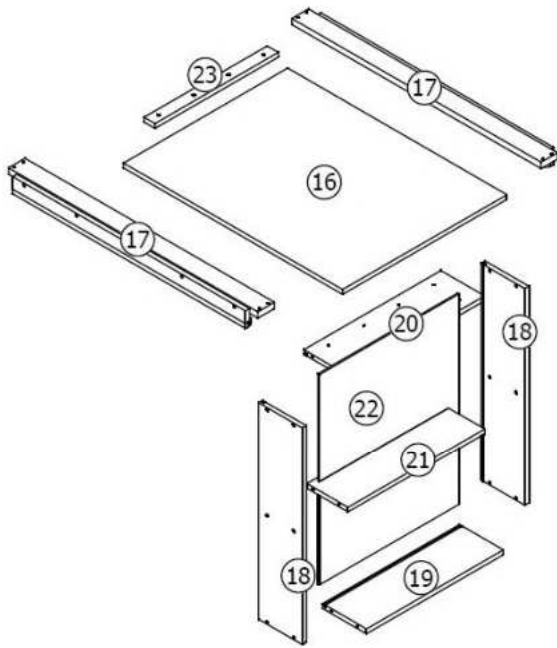

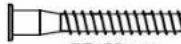
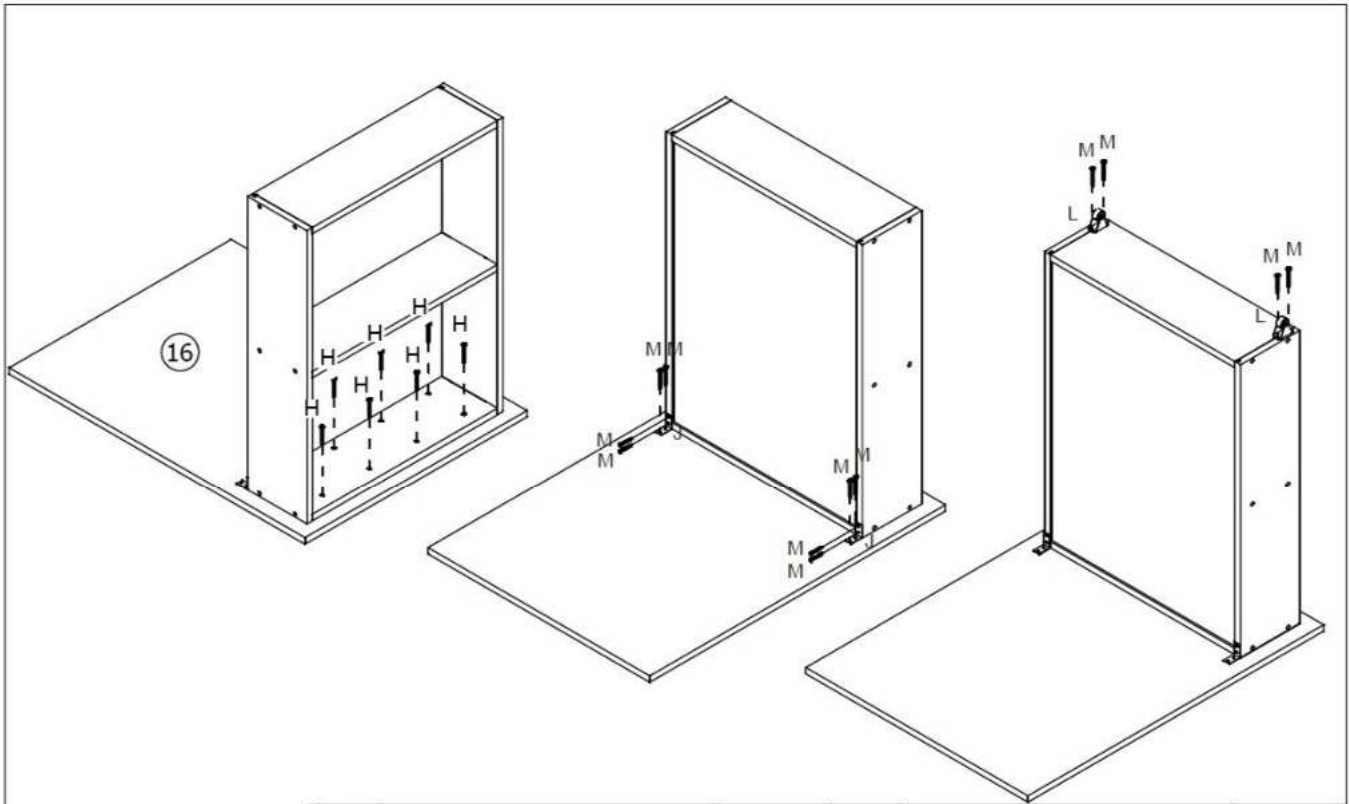


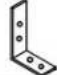


HARDWARE

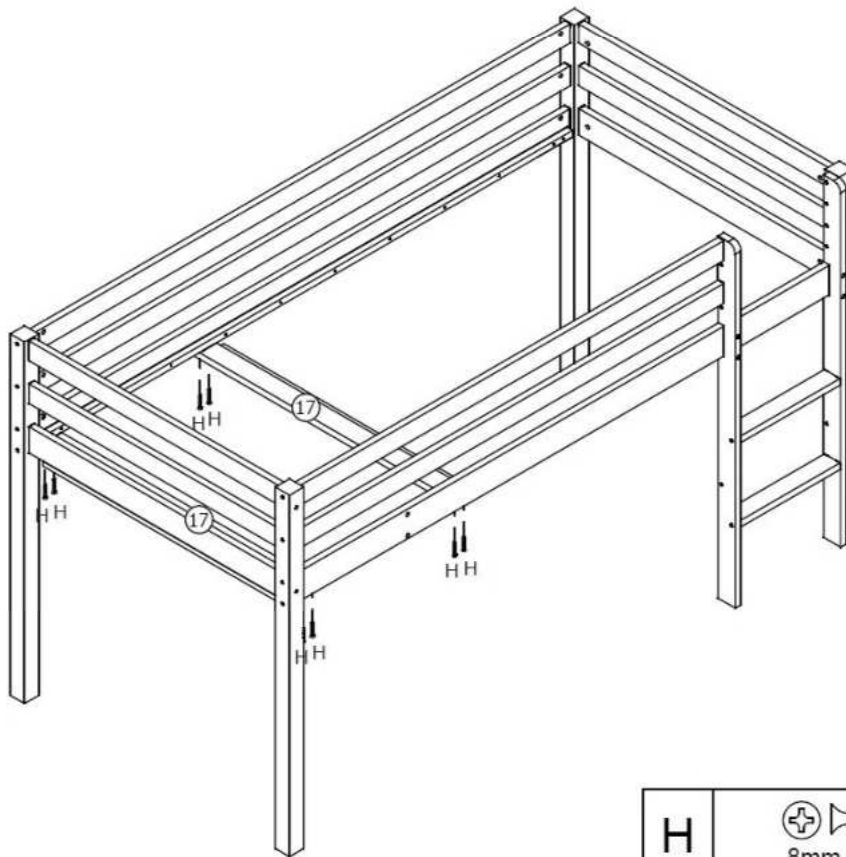
H	 8mm Ø4x30mm	20
J	 30*30*16mm	02
K	 10mm Ø7x60mm	12
L		02
M	 7mm Ø4x16mm	12
G		01

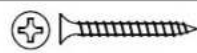


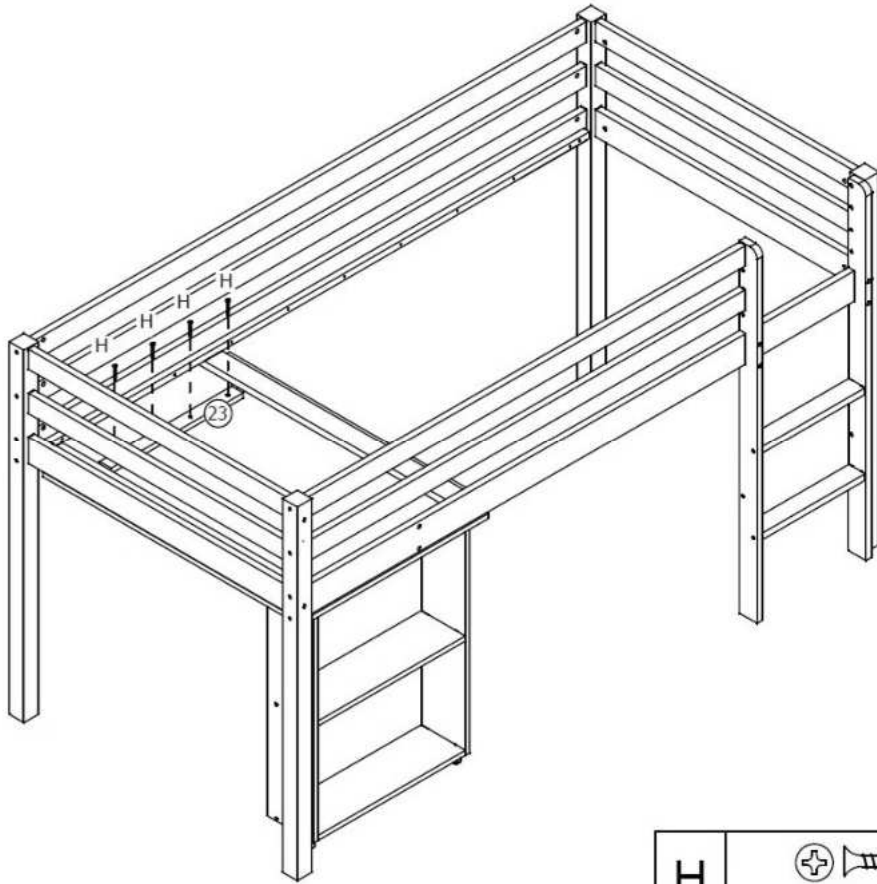
K	 10mm  Ø7x60mm	12
---	---	----



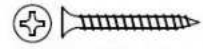
J	 30°30°16mm	02	M	 7mm Ø4x16mm	12
L		02	H	 8mm Ø4x30mm	08



H	 8mm Ø4x30mm	08
---	---	----



H



8mm Ø4x30mm

04

Important Safety Information

- a) All assembly fastenings should be tightened properly and care should be taken that no fittings are loose.
- b) Maximum thickness of mattress:13.5cm, the max mattress thickness must not be over the maximum mattress thickness marking marked on the upper bed.
- c) Recommended size of the mattress:L190*W90*13.5cm.
- d) The Cabin bed should not be used if any structural part is broken or missing.
- e) The upper bed of the Cabin beds are not suitable for children under 3 years due to injury from falling.
- f) Children can strangle in items such as ropes, strings, cords,harnesses and belts attached to or hung on a bunk bed.
- g) Warning: Children can become trapped between the bed and the wall. To avoid risk of serious injury the distance between the tip safety barrier and the wall shall not exceed 75mm or shall be more than 230mm.
- h) EN747-1,04.2007

Any Problems

Call us

01303 872957

Noa & NaniTM
CABIN BEDS