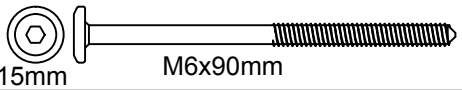

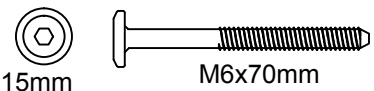
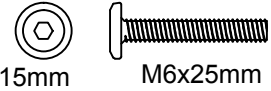
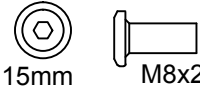
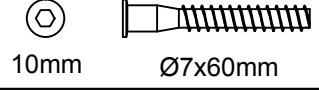


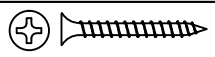

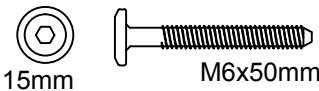
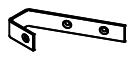

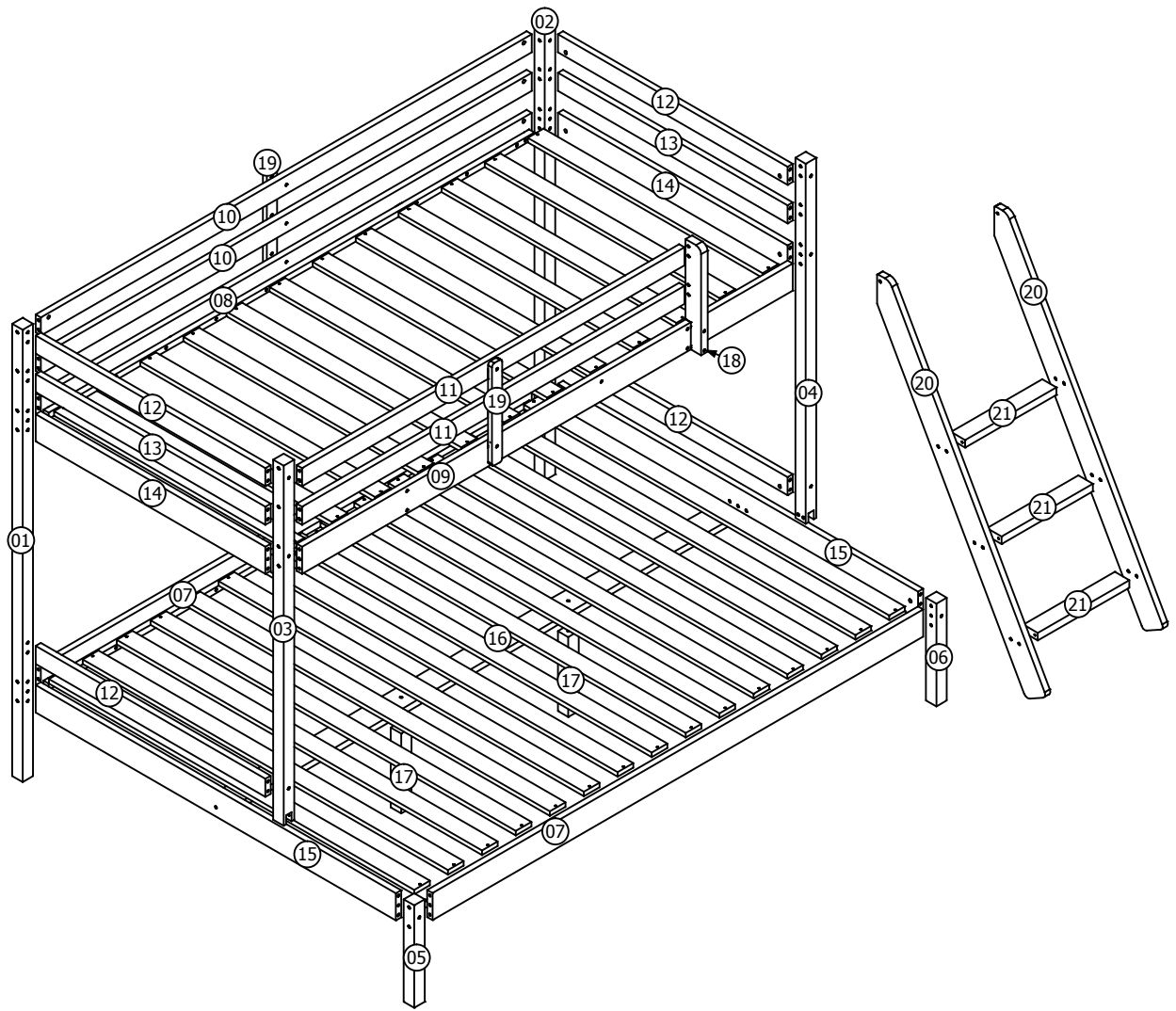


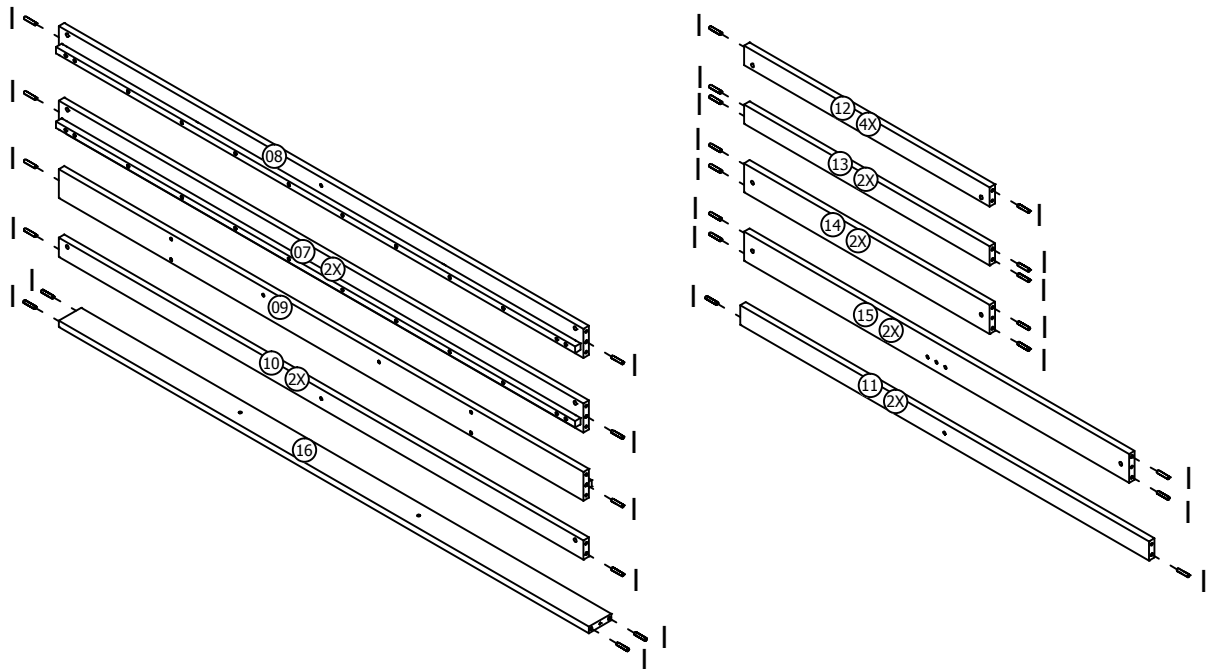
# HARDWARE


A	 15mm M6x90mm	39
B		40
C	 15mm M6x70mm	01
D	 15mm M6x25mm	06
E	 15mm M8x20mm	09
F	 10mm Ø7x60mm	16
G		02

I	 Ø8x30mm	52
J	 8mm Ø4x30mm	58
K	 Ø8mm	07
M	 15mm M6x50mm	03
N		02
O	 8mm Ø4x16mm	02

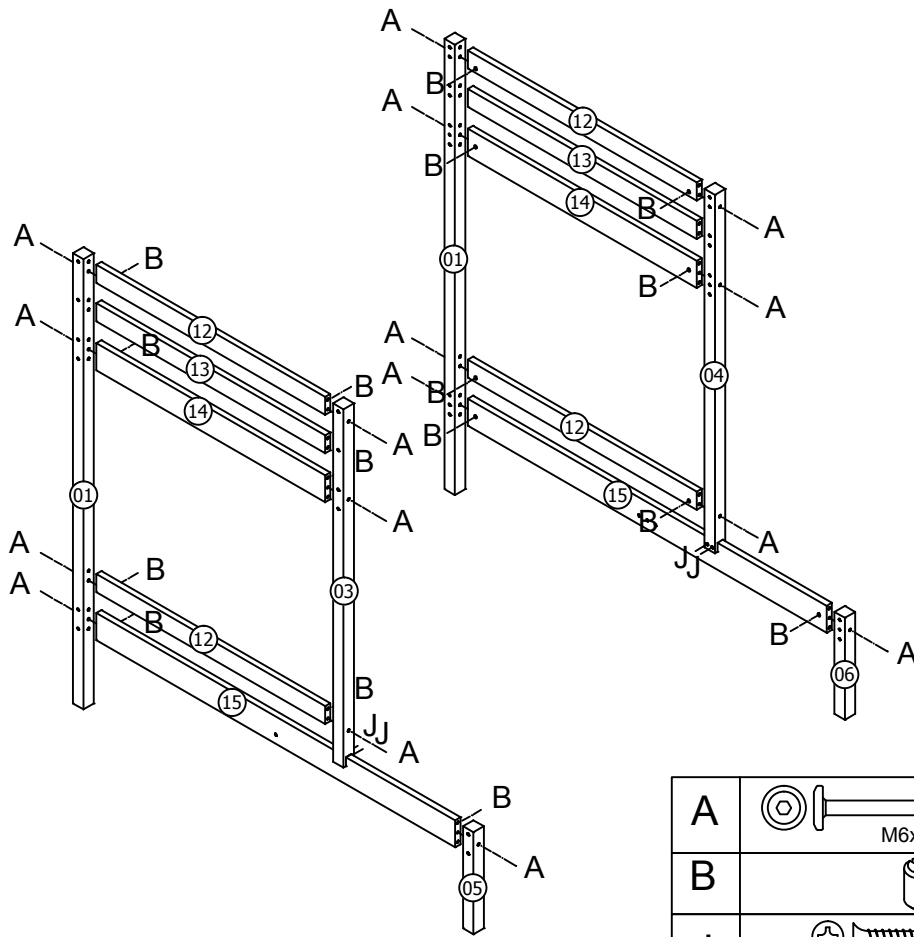




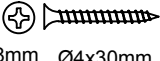
# 01



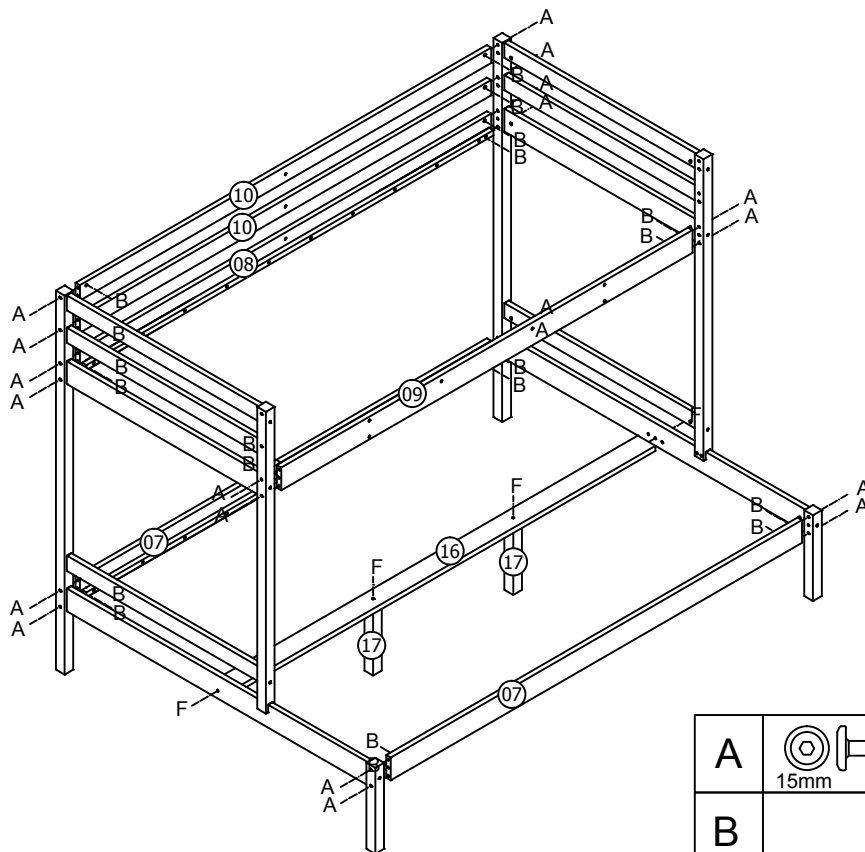
I		52
	Ø8x30mm	




# 02



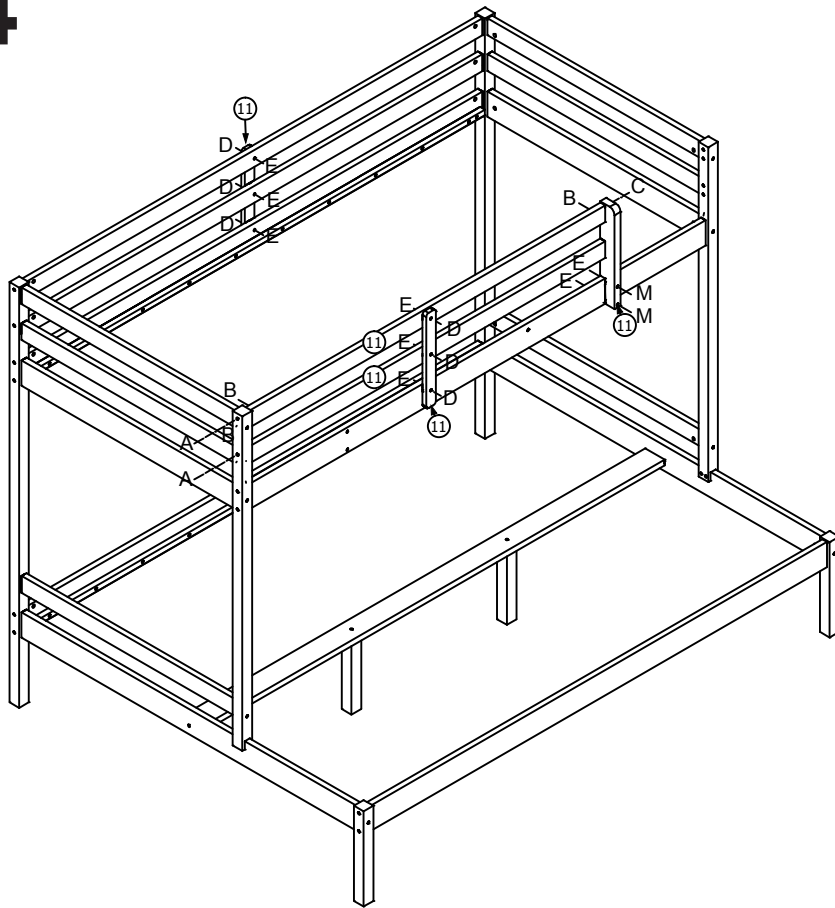
A	 M6x90mm	16
B		16
J	 8mm Ø4x30mm	04


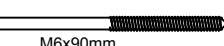


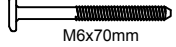

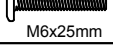

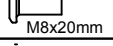

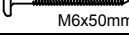
# 03



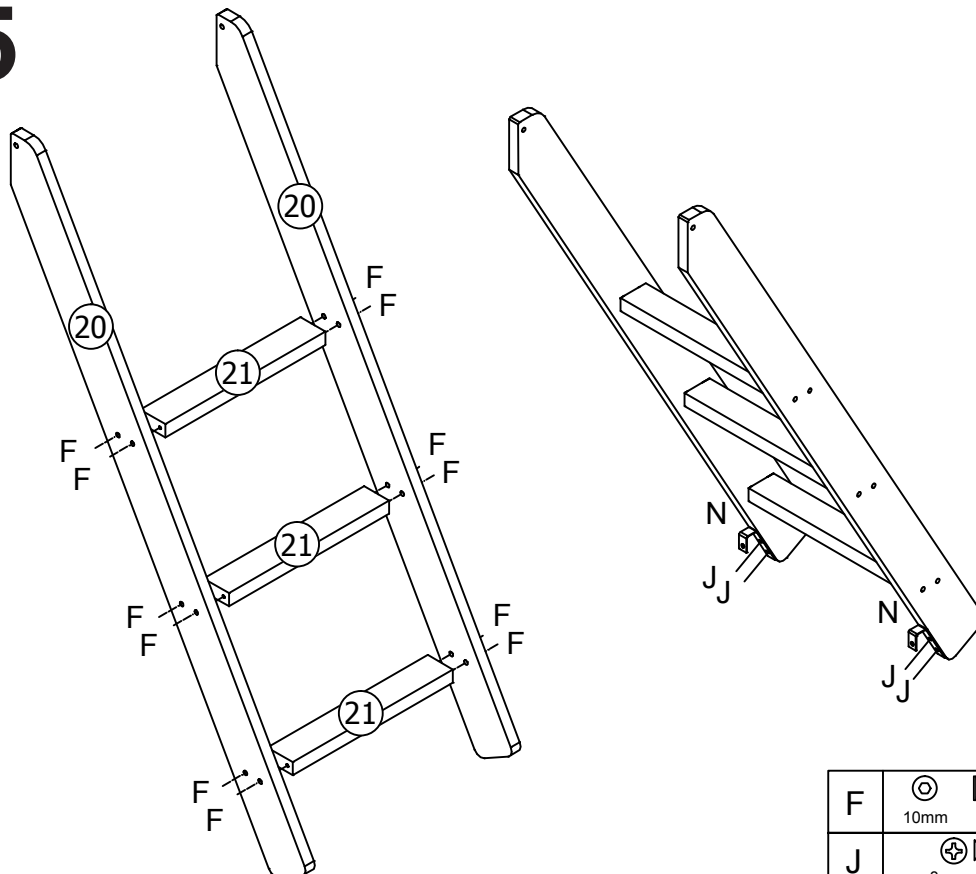
A	 15mm M6x90mm	20
B		20
F	 10mm Ø7x60mm	04


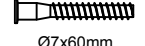
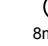
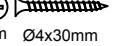

# 04



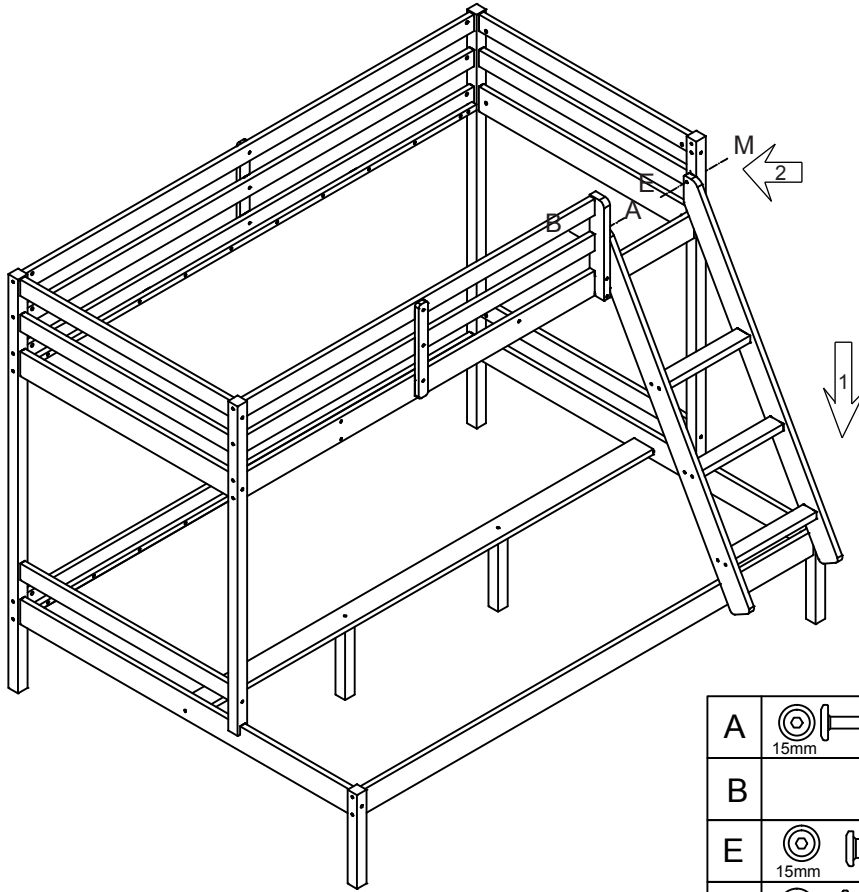
A	 15mm	 M6x90mm	02
B			03
C	 15mm	 M6x70mm	01
D	 15mm	 M6x25mm	06
E	 15mm	 M8x20mm	08
M	 15mm	 M6x50mm	02


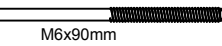




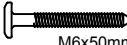
# 05



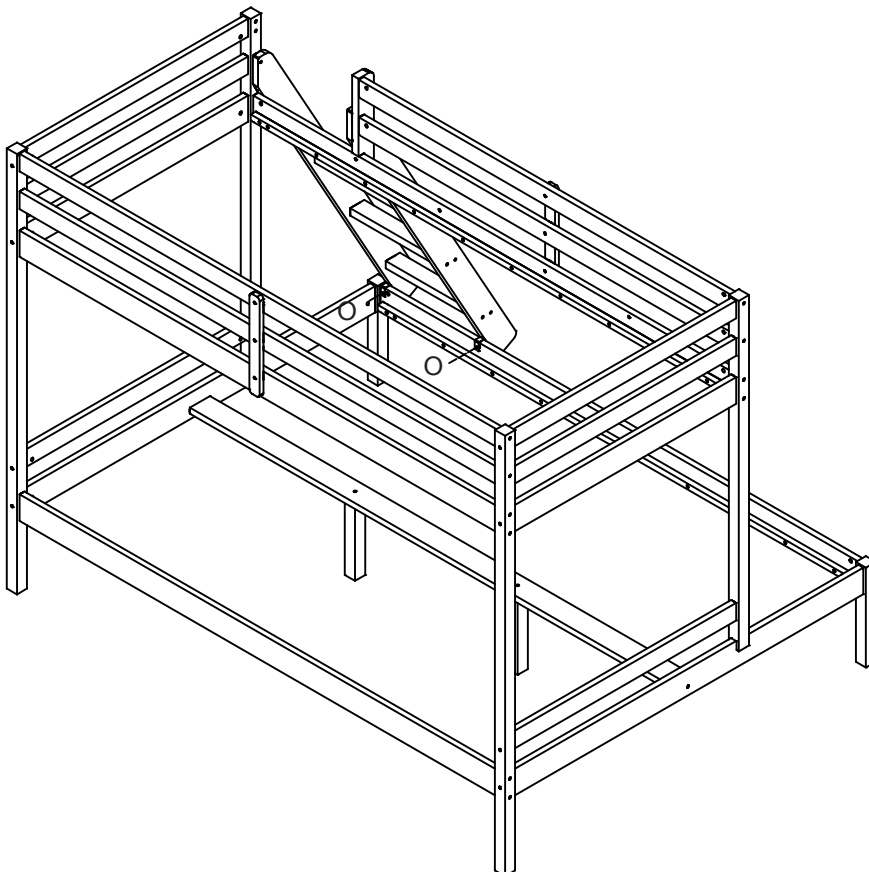
F	 10mm	 Ø7x60mm	12
J	 8mm	 Ø4x30mm	04
N			02


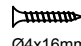
# 06



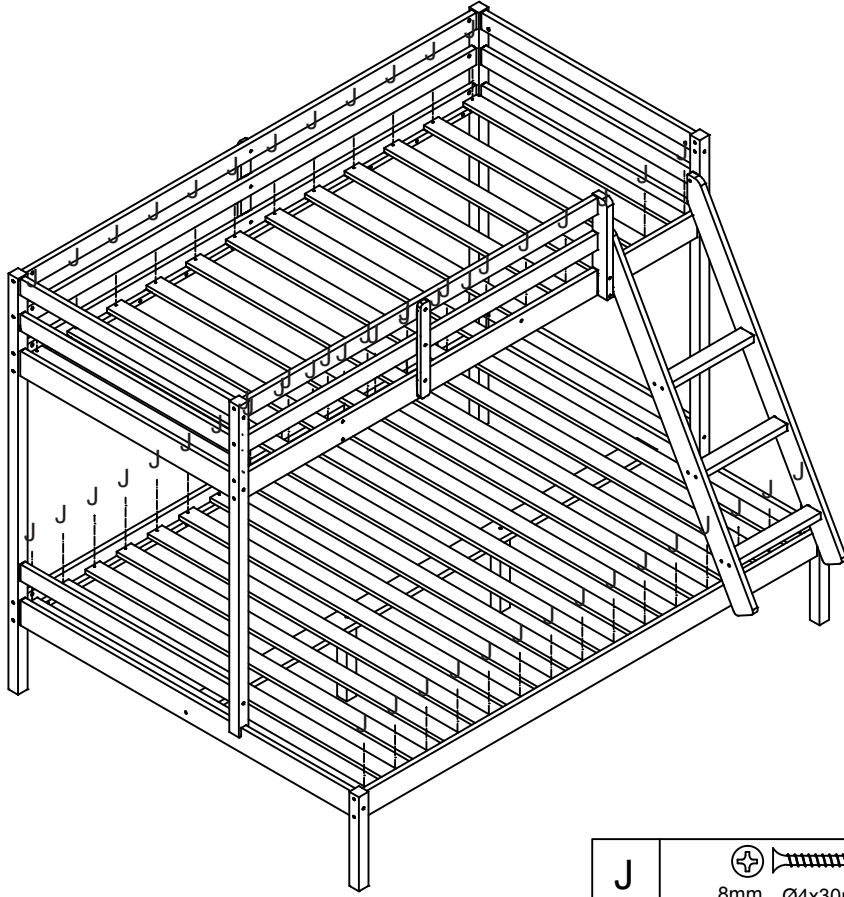
A	 15mm	 M6x90mm	01
B			01
E	 15mm	 M8x20mm	01
M	 15mm	 M6x50mm	01

# 07

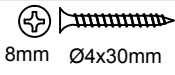


O	 8mm	 Ø4x16mm	02
---	---	---	----

08



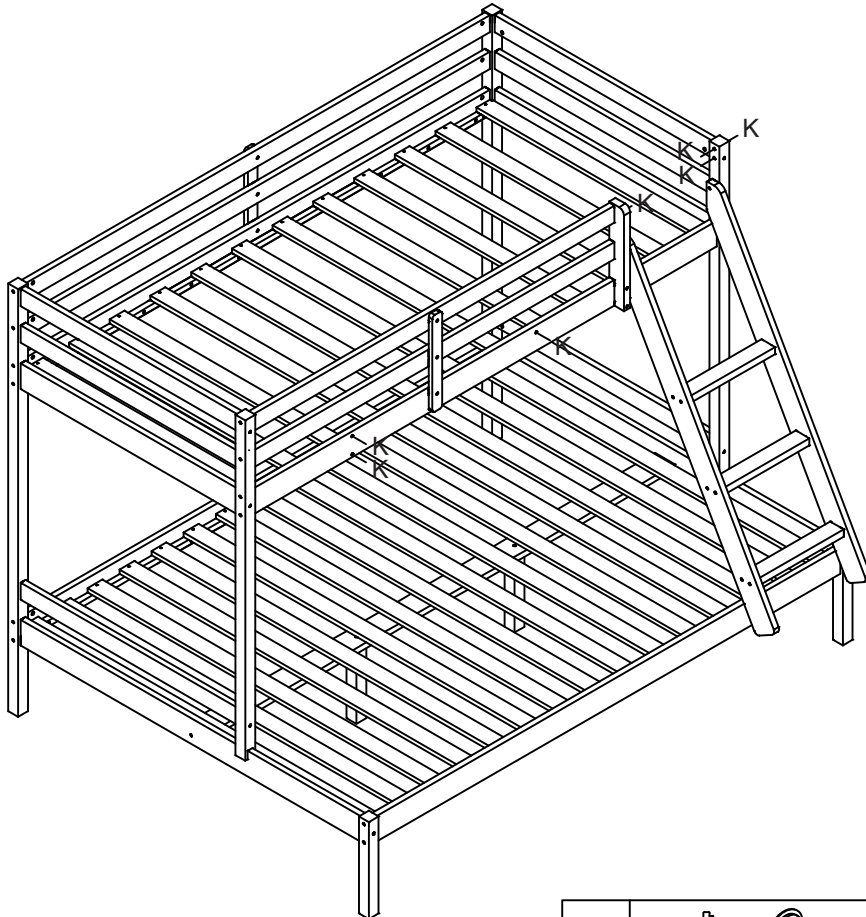
J



8mm Ø4x30mm

54

09



K



Ø8mm

07