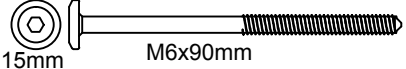

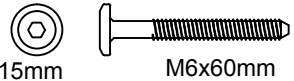
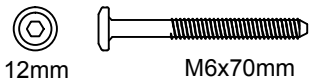
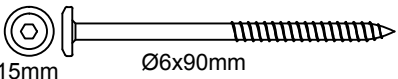
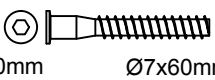

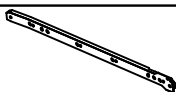
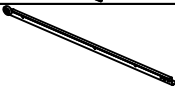



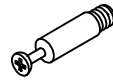

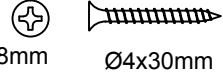
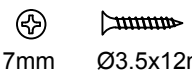
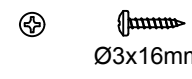

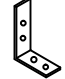

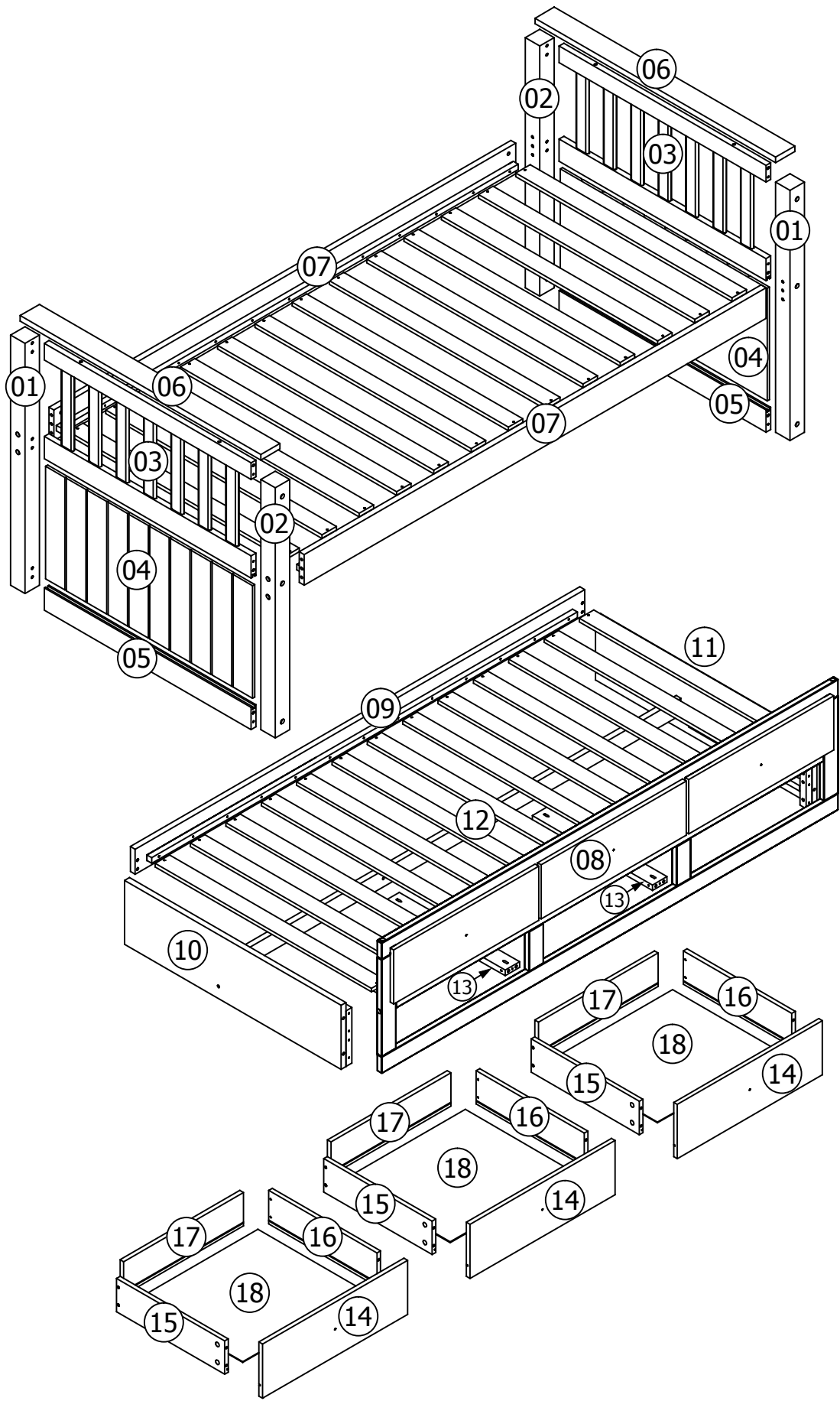


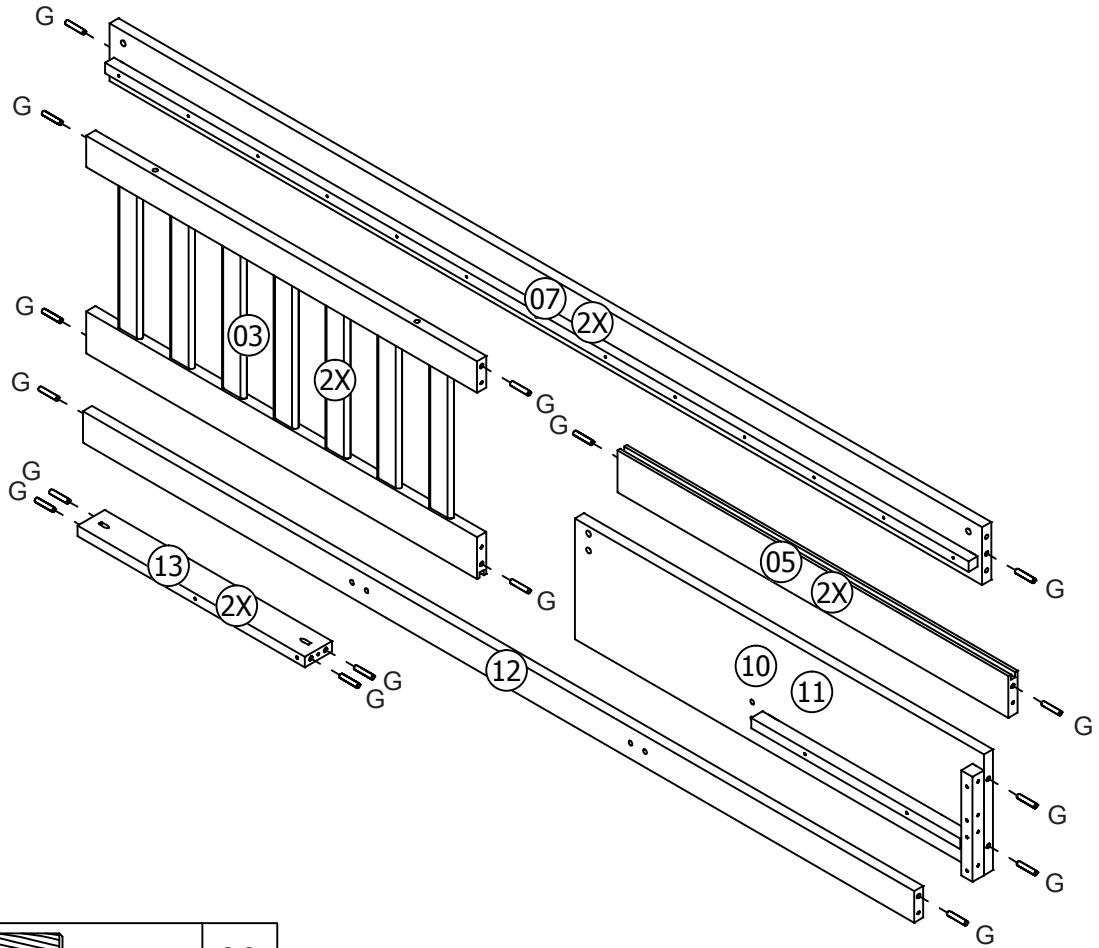
HARDWARE


A	 15mm M6x90mm	08
B		12
C	 15mm M6x60mm	04
D	 12mm M6x70mm	04
E	 15mm Ø6x90mm	12
F	 10mm Ø7x60mm	02
G	 Ø8x30mm	30
H	 RIGHT OR LEFT	06
I	 RIGHT OR LEFT	06
J		04

K		06
L	 M4x20mm	06
M		12
N		12
O	 8mm Ø4x30mm	76
P	 7mm Ø3.5x12mm	36
Q	 Ø3x16mm	16
R	 Ø15mm	26
S		02
T		02

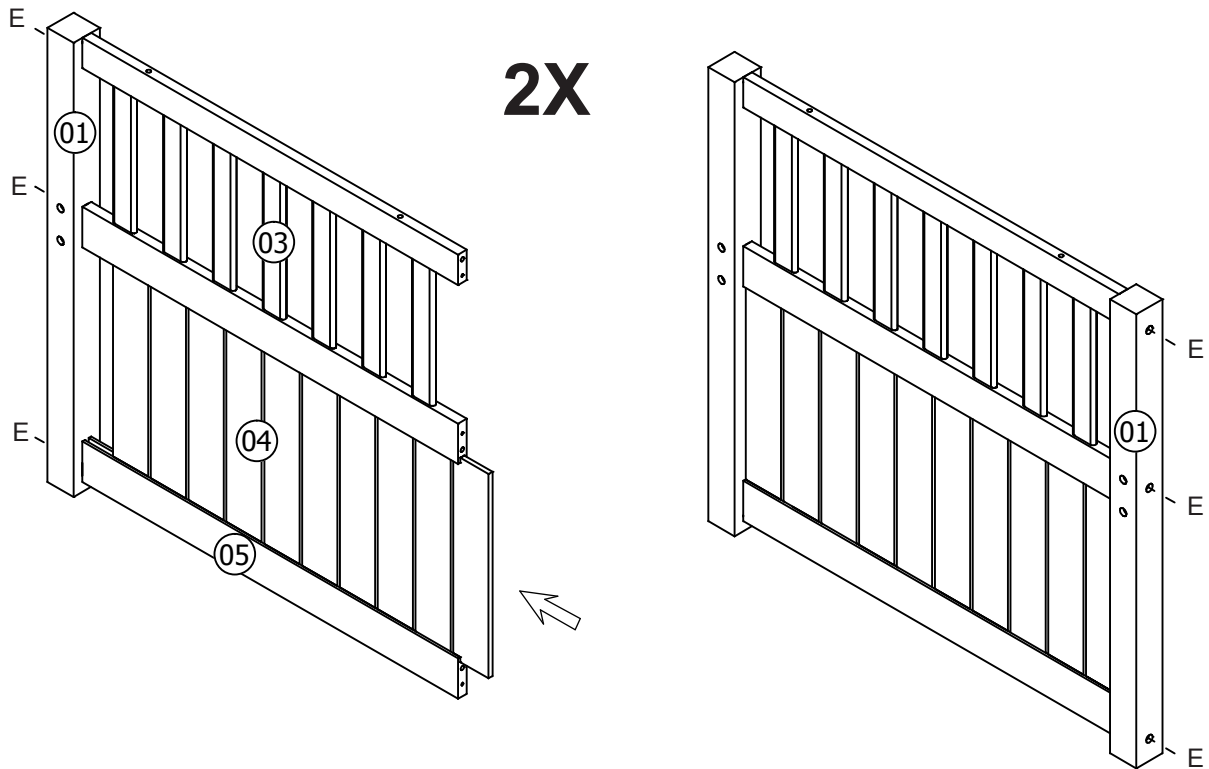


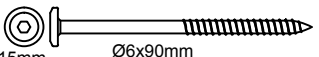
01



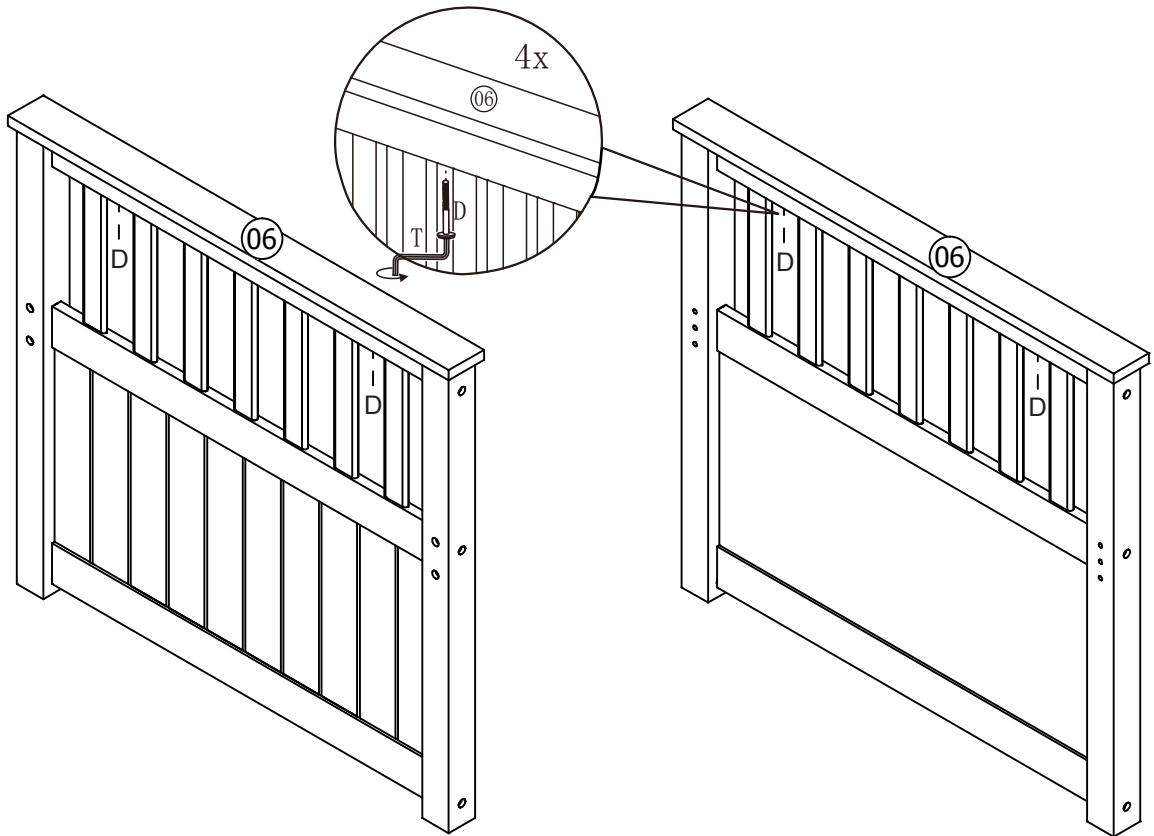
G	 Ø8x30mm	30
---	--	----


02



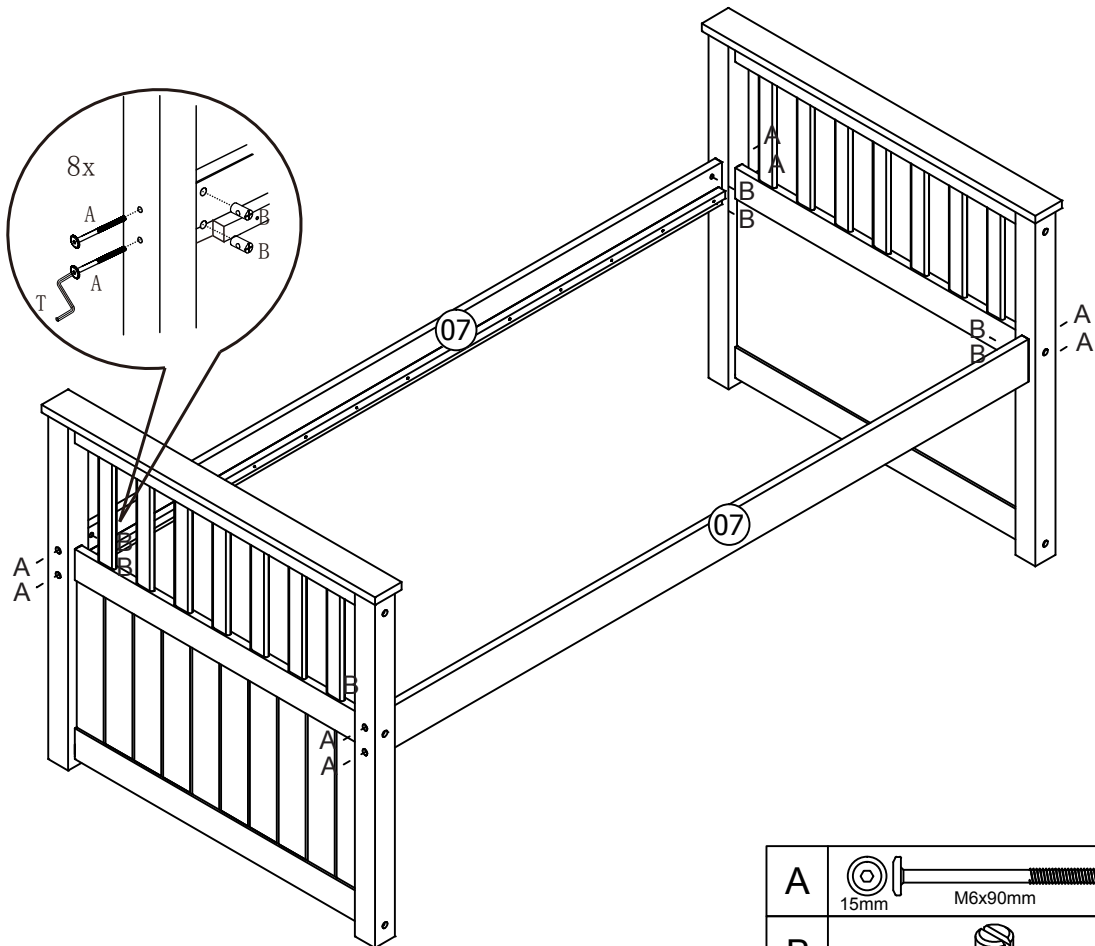
E	 15mm Ø6x90mm	12
---	---	----

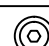
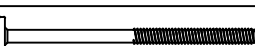

03



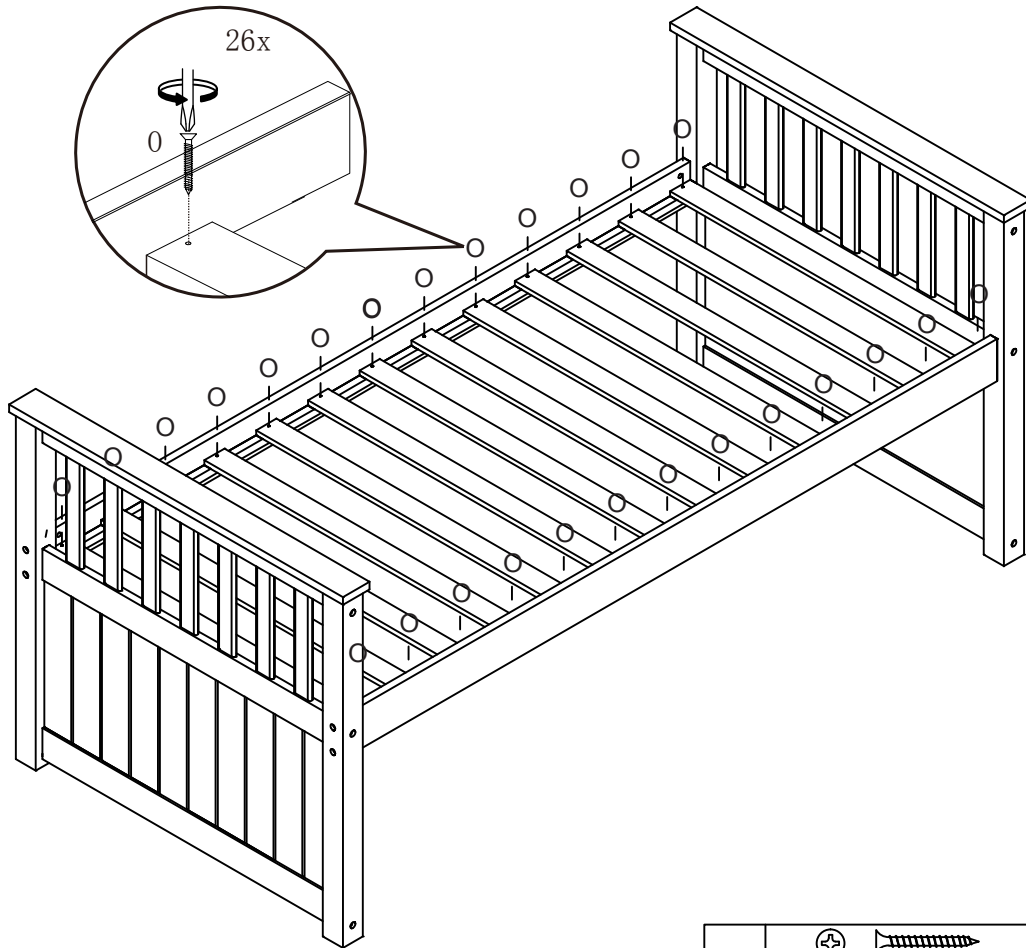
D			04
	12mm	M6x70mm	

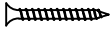
04



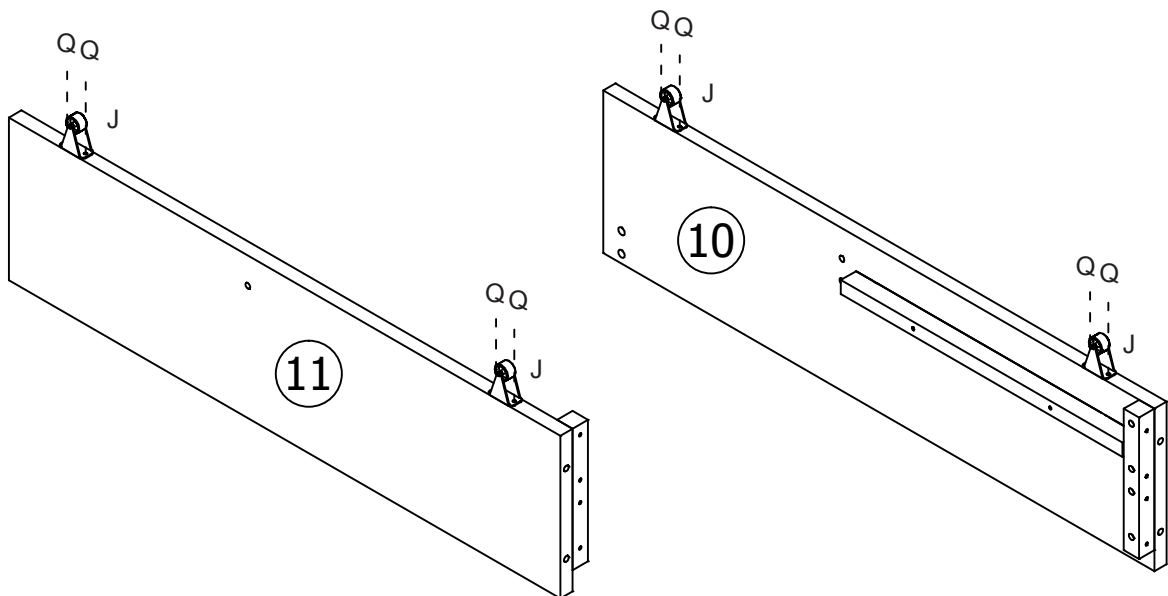
A			08
	15mm	M6x90mm	
B			08


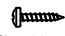
05



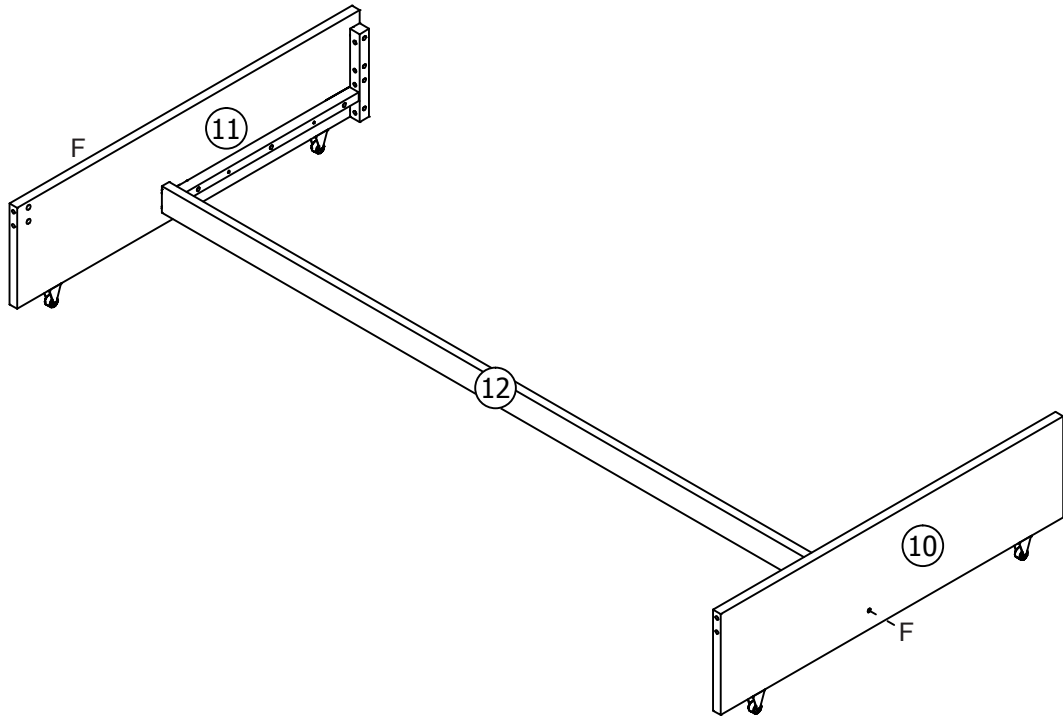
○	⊕		26
	8mm	Ø4x30mm	


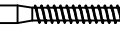
06



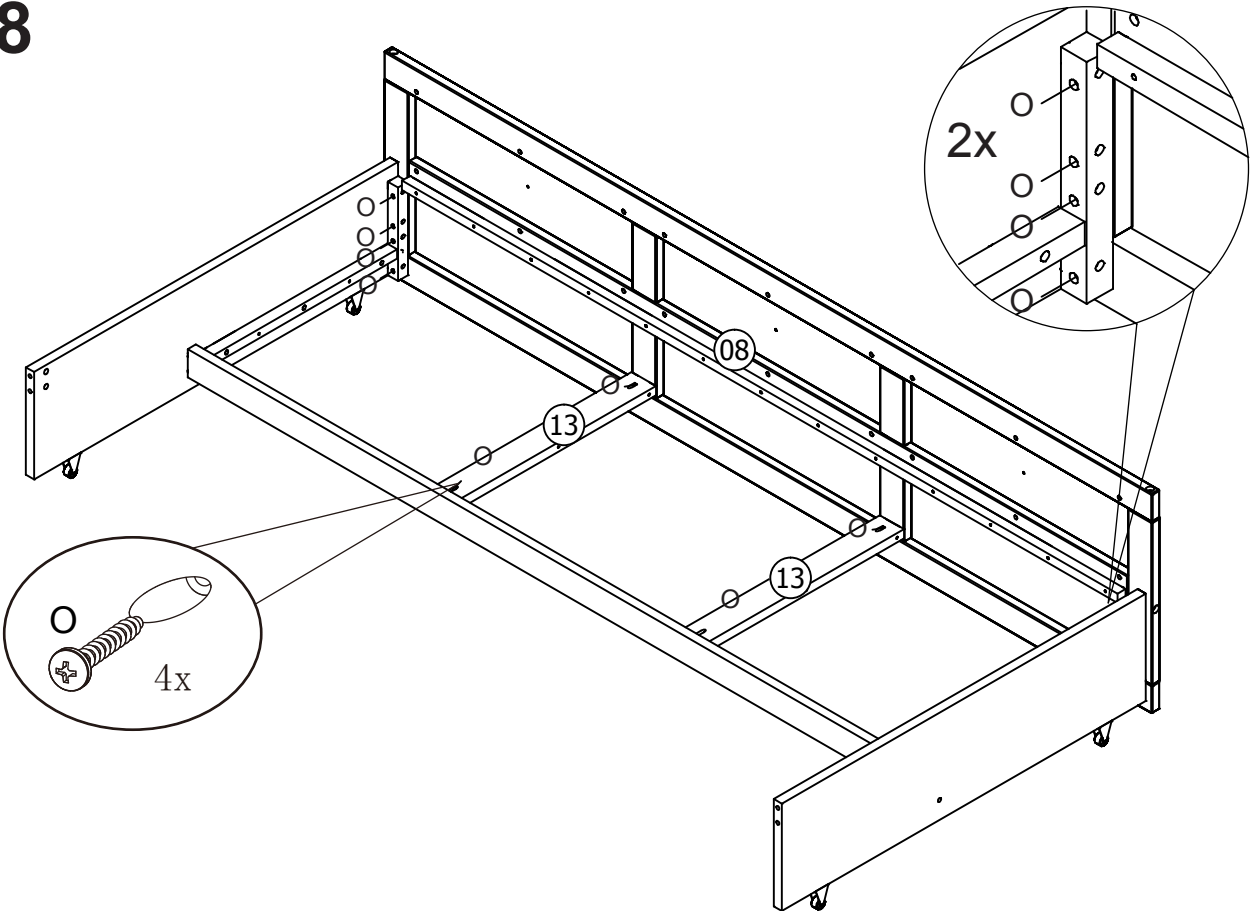
J		04
Q	 7mm Ø4x16mm	08


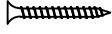
07



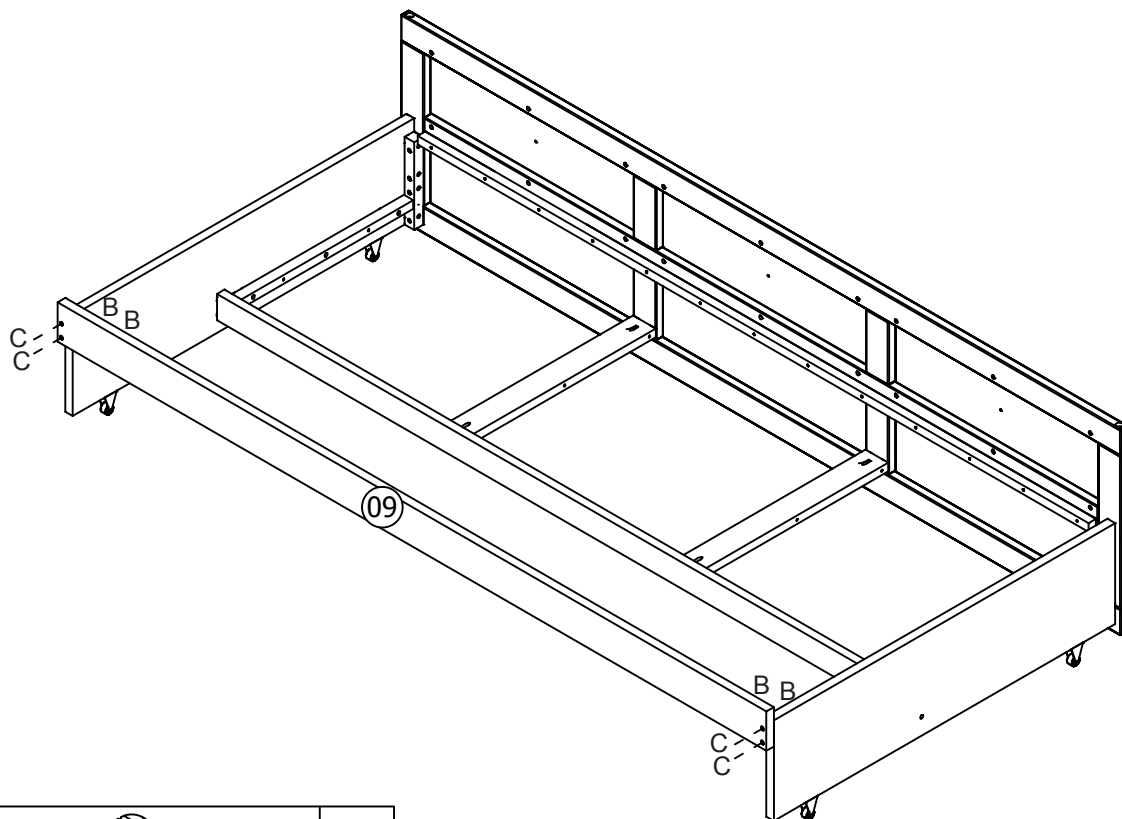
F	 10mm  Ø7x60mm	02
---	--	----



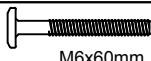
08



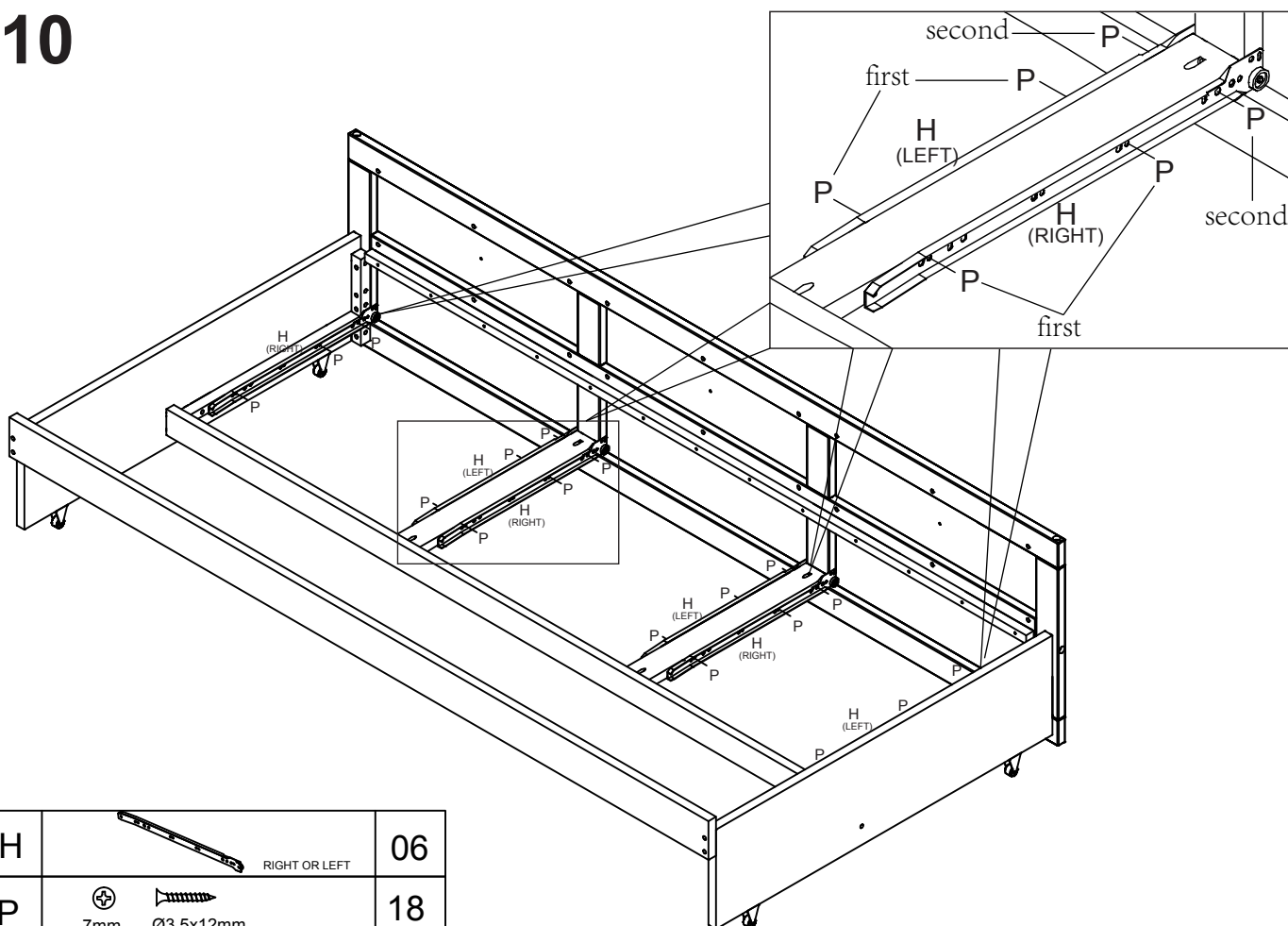
O	 8mm  Ø4x30mm	12
---	---	----



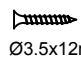
09



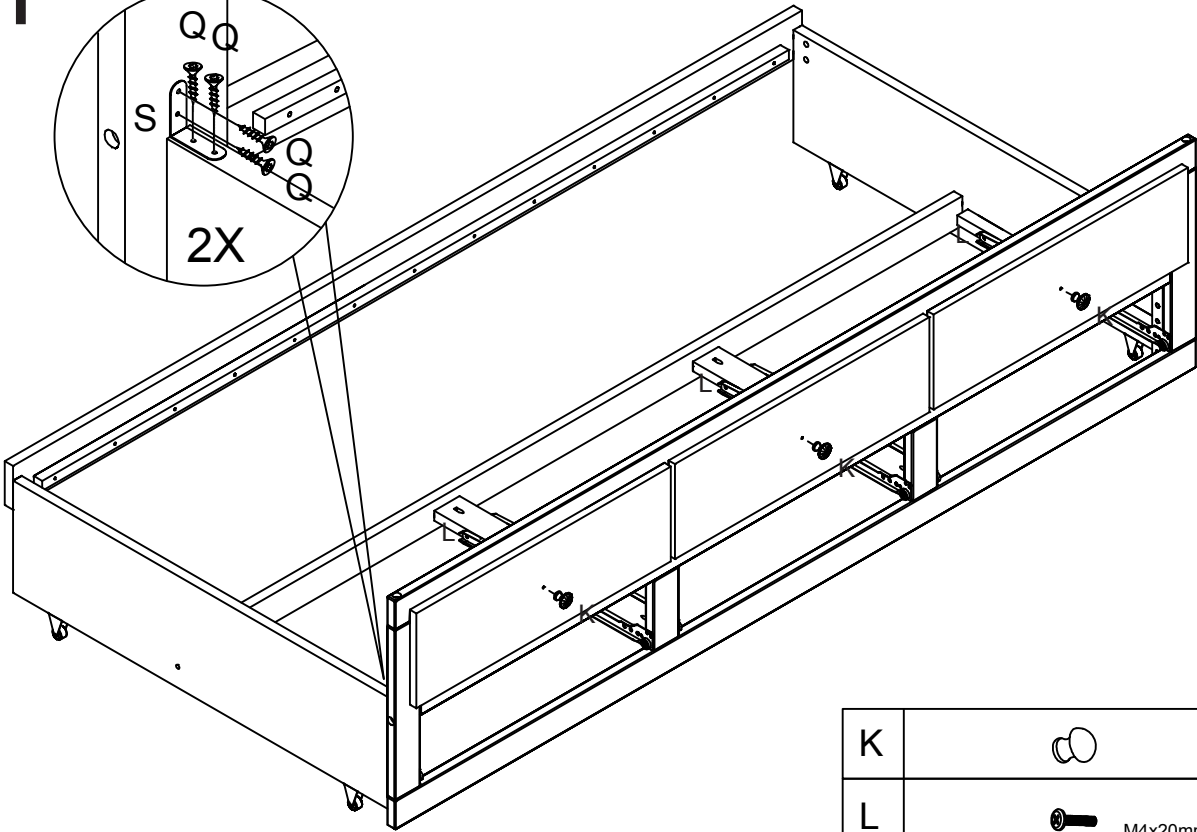
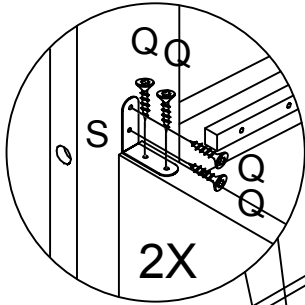
B		04
C	 	04



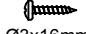

10



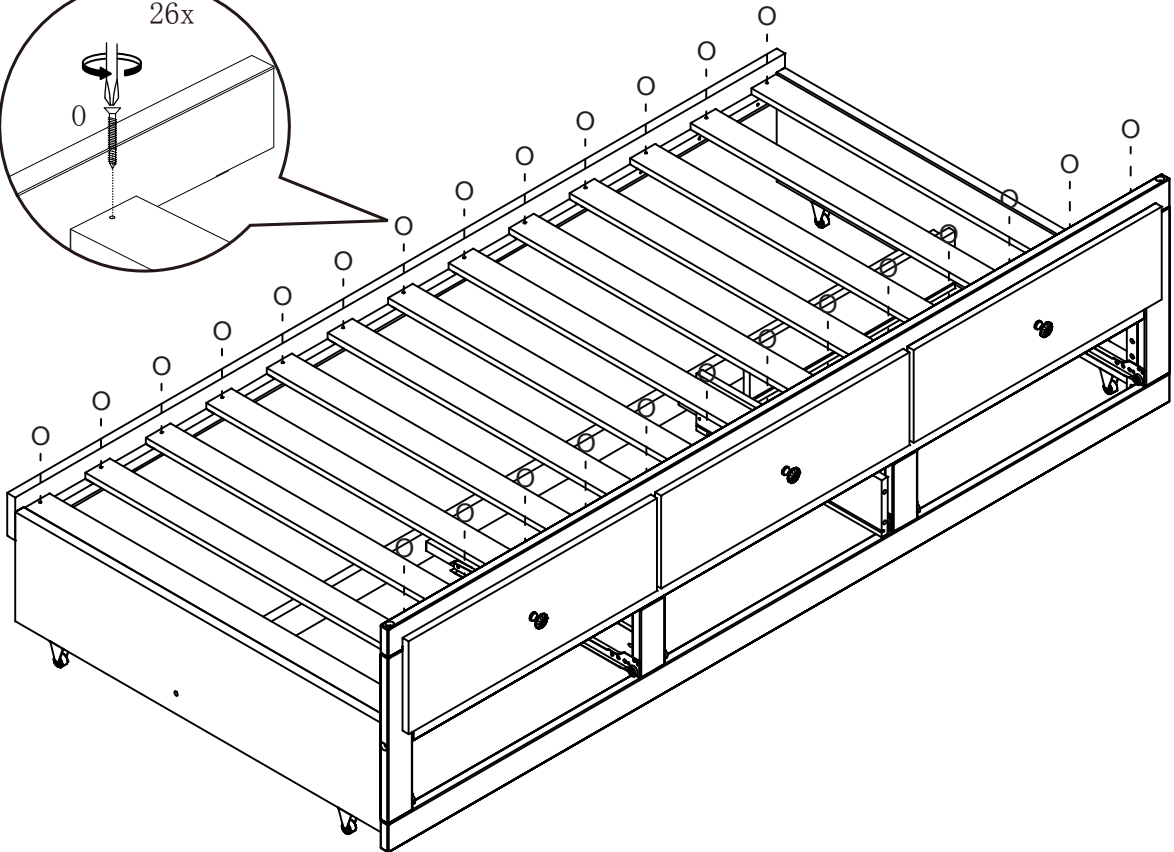
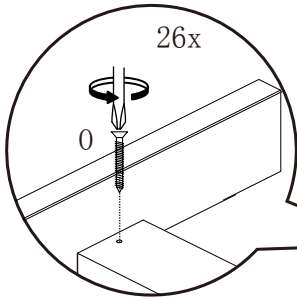
H	 RIGHT OR LEFT	06
P	 	18


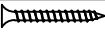
11



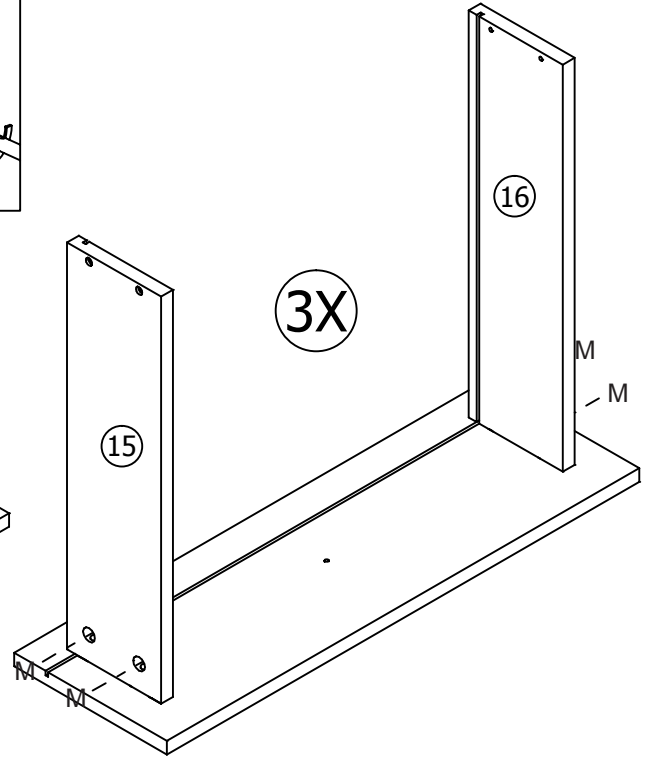
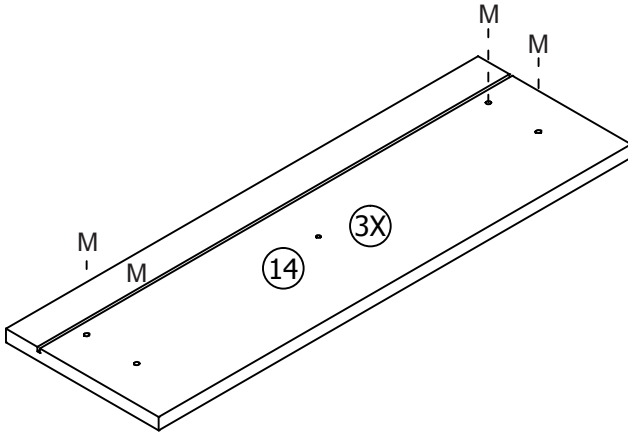
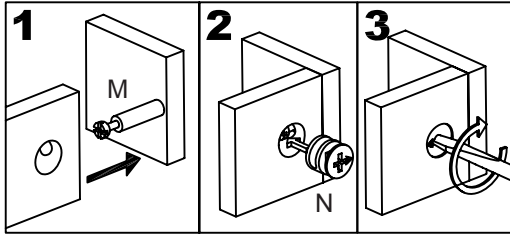
K		03
L	 M4x20mm	03
Q	 Ø3x16mm	08
S		02



12



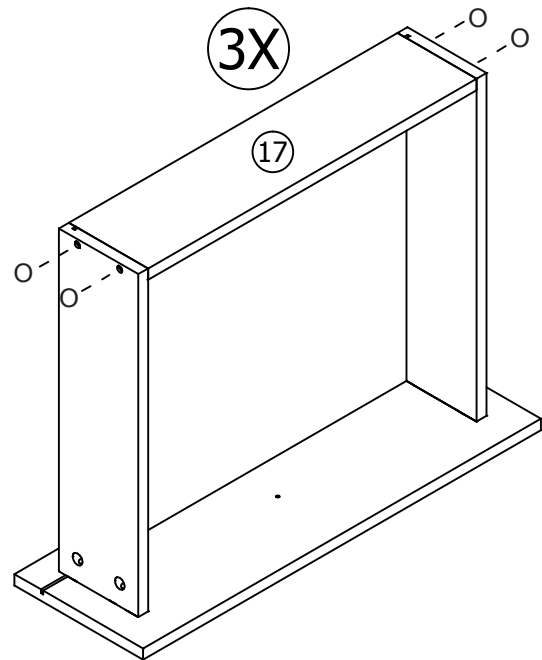
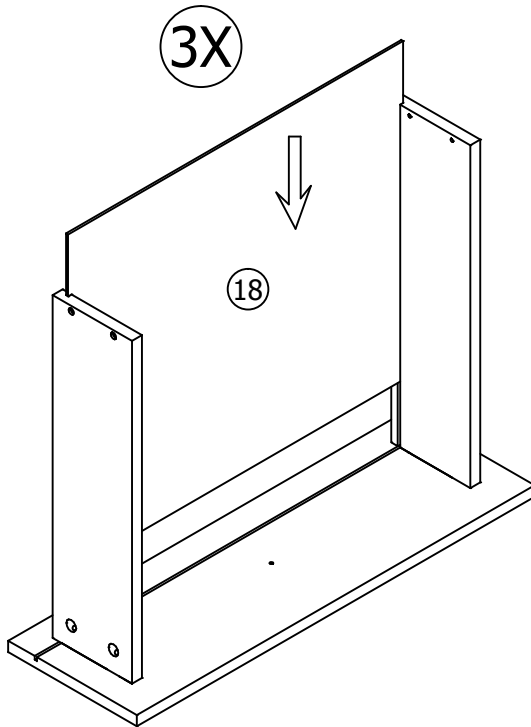
O	 8mm  Ø4x30mm	26
---	--	----

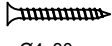
13



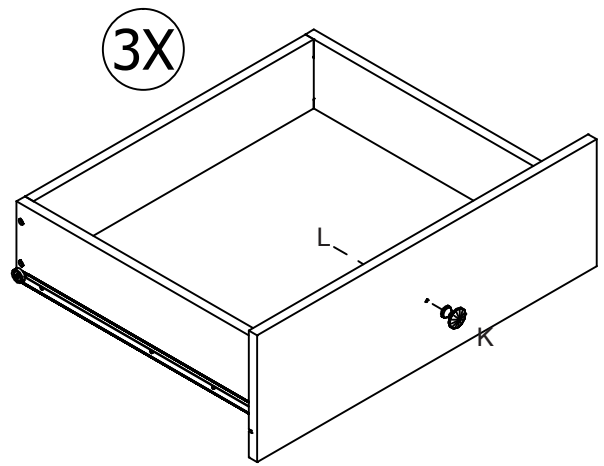
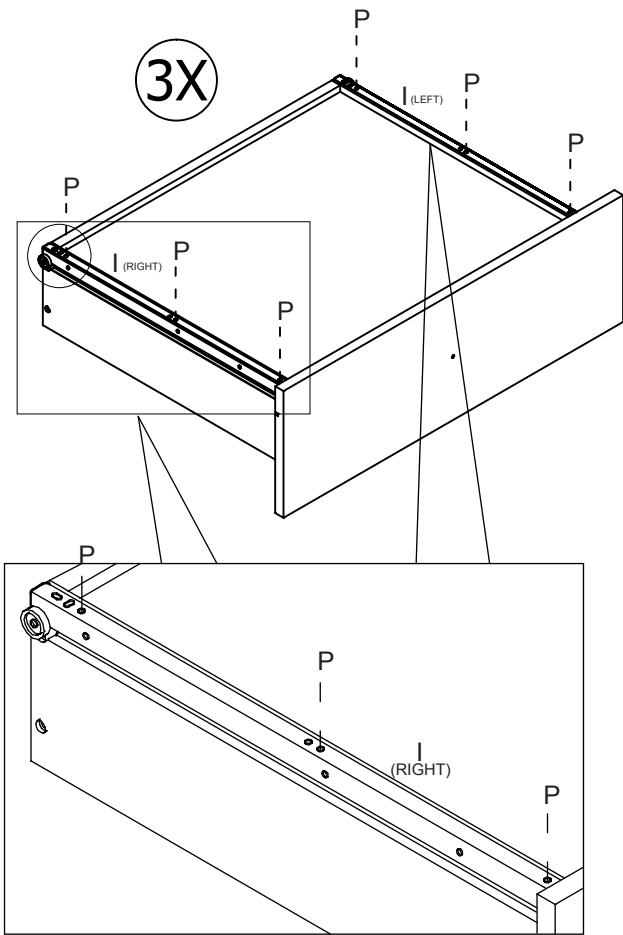
M		12
N		12




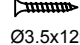
14



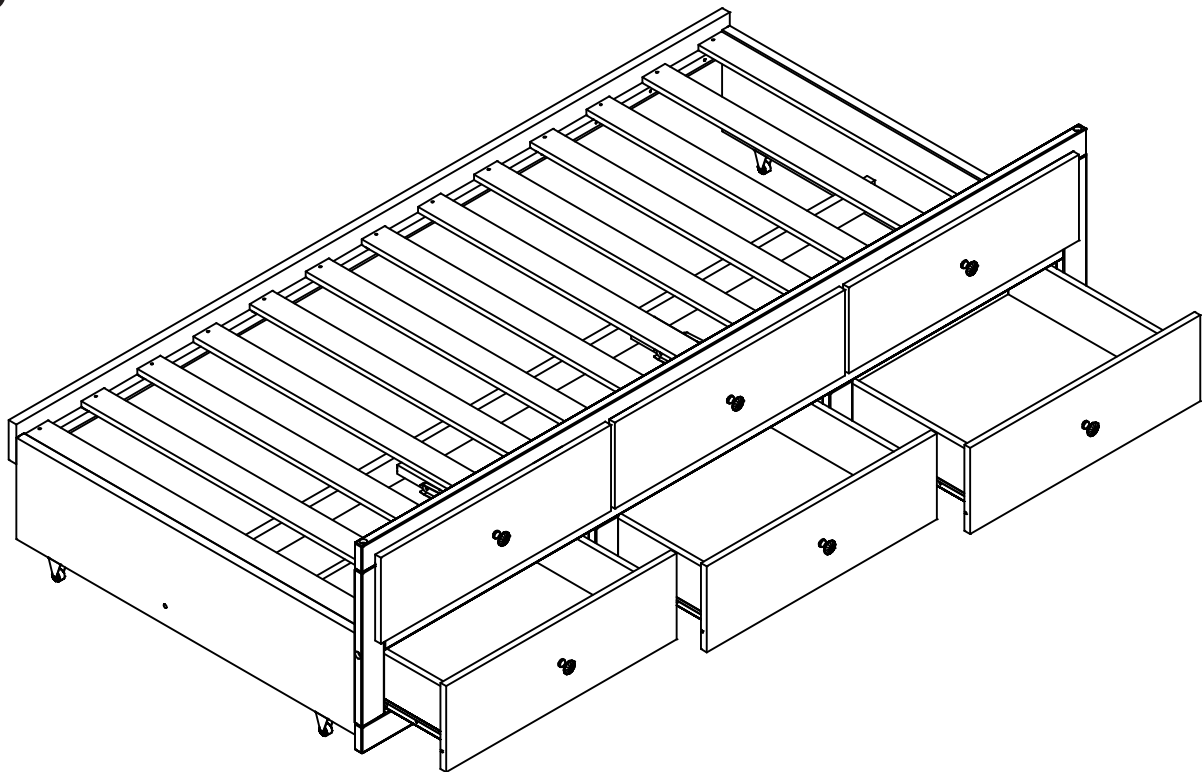
O		12
	8mm Ø4x30mm	

15

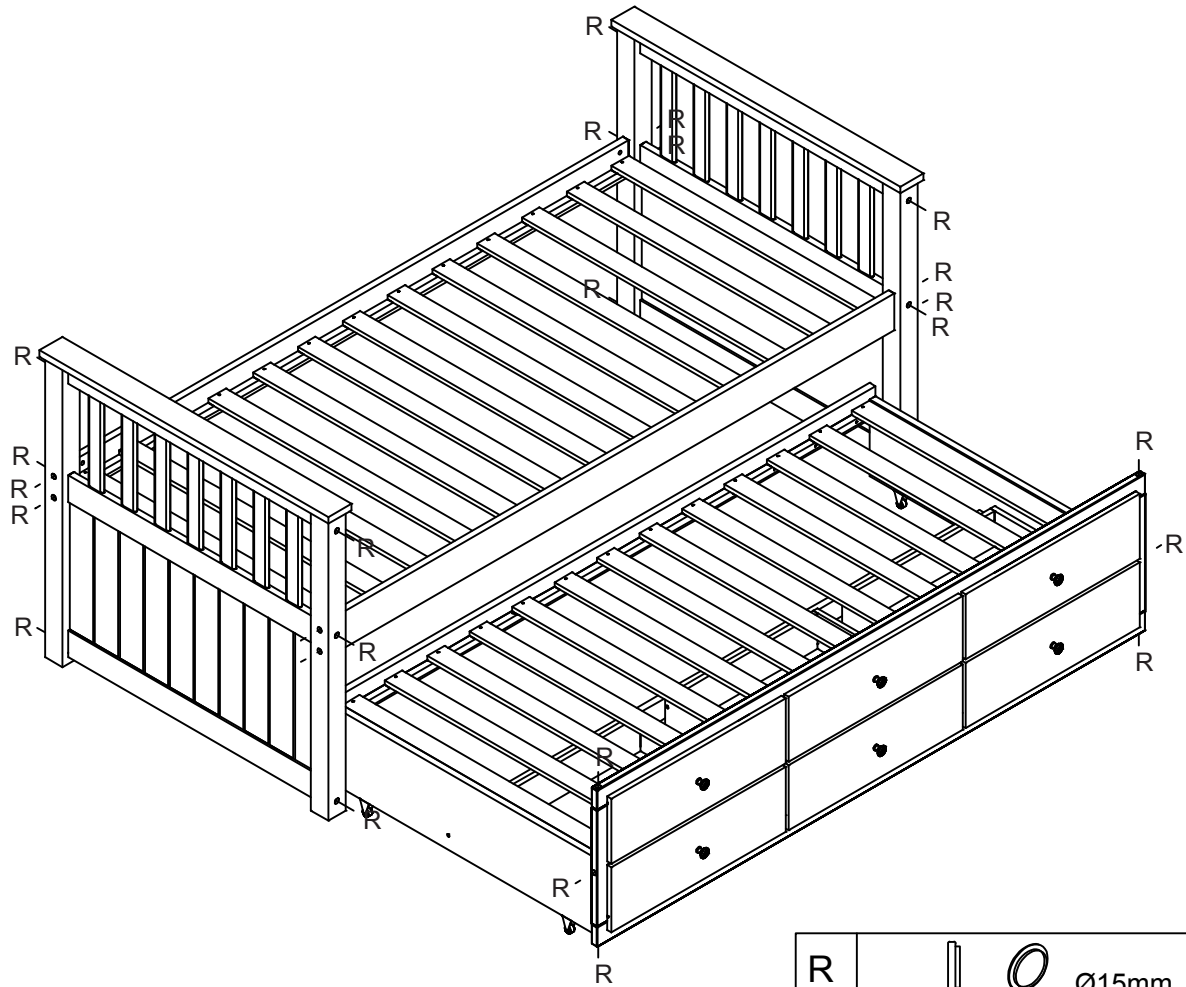


I	 RIGHT OR LEFT	06
K		03
L	 M4x20mm	03
P	 7mm Ø3.5x12mm	18

16



17



R			Ø15mm	26
---	---	---	-------	----

18

