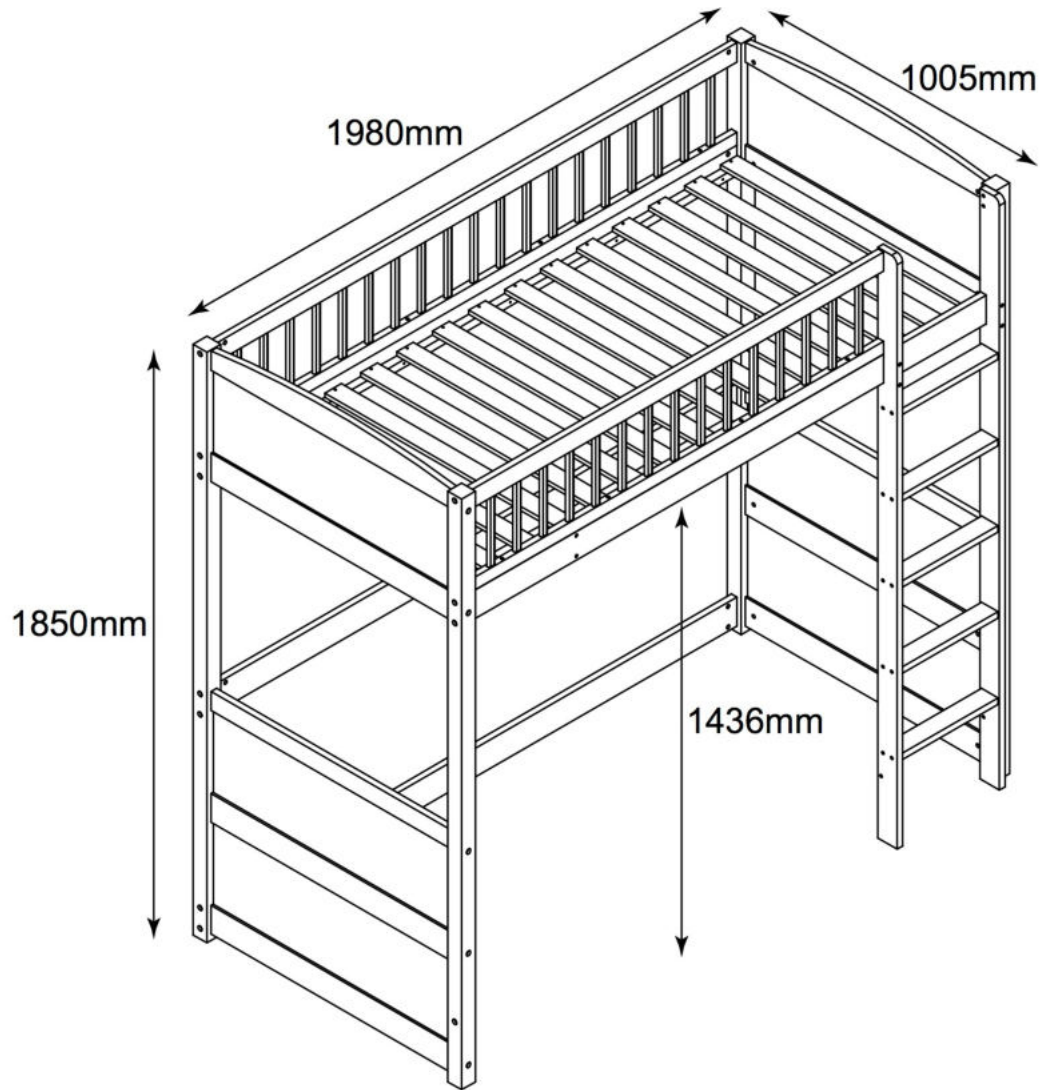


JZ22002

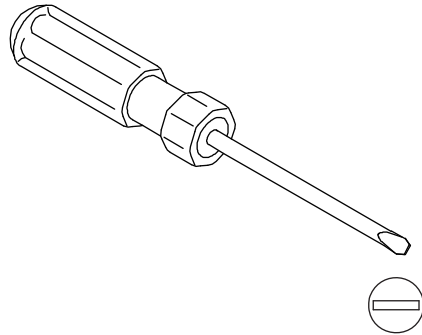
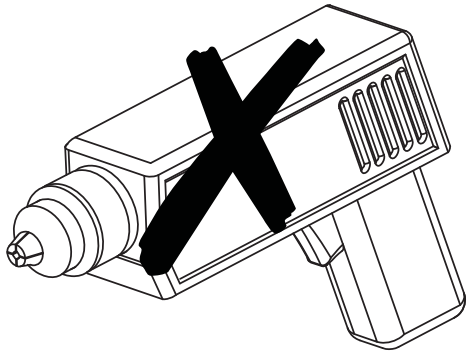


**NÖA & NANI**

FAMILY FURNITURE



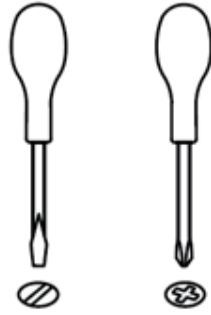
**LOTTIE HIGH SLEEPER BED  
ASSEMBLY INSTRUCTIONS**



# **WARNING!**

To avoid damage to the product please do not use powertools to assemble this item!!!

## Tools Required



**CAUTION:** Do not use tools other than those required, as this can damage your new item.

## NOTE

- Please check you have all hardware before assembling.
- If you are missing any hardware, please contact the store of purchase.
- Please ensure you have the name of the item, required hardware part and quantity.
- Please retain your receipt as proof of purchase to validate your warranty.

## CAUTION

- Do not tighten screws before all screws are in the right place.
- Do not use this product unless all bolts, screws and knobs are firmly secured.
- Check that all bolts, screws and knobs are securely tightened at least every 4 months.

## WARNING

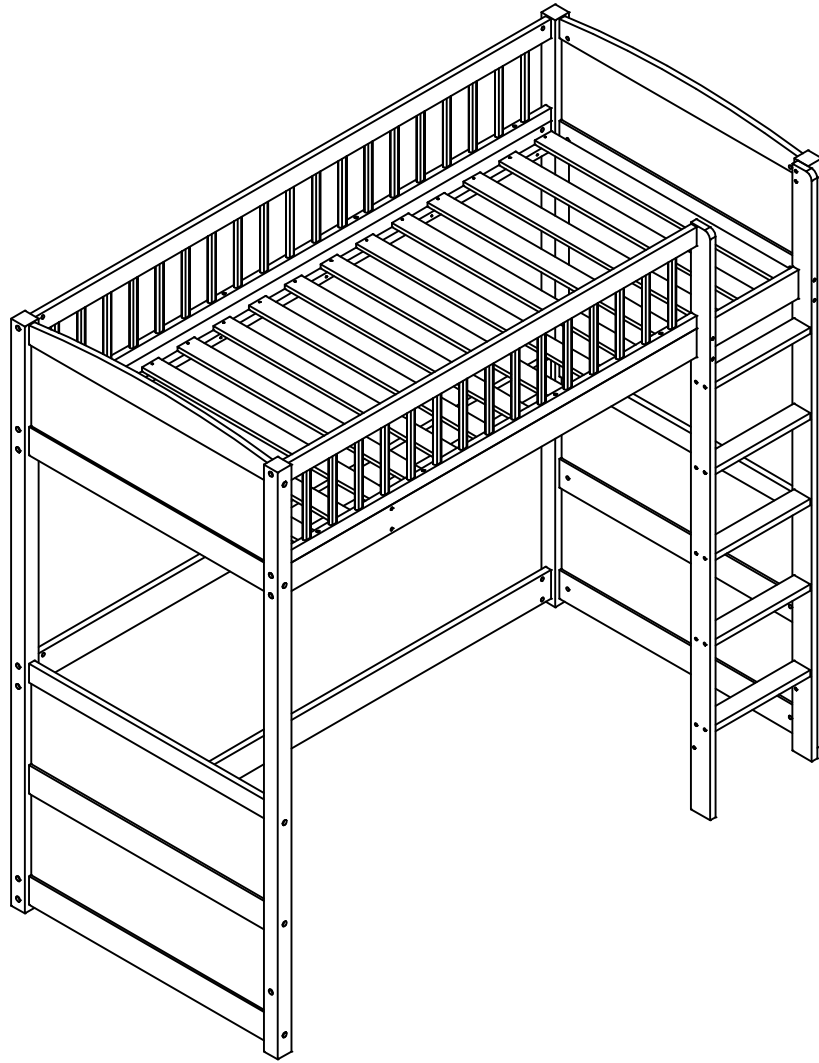
- If parts are missing, broken, damaged or worn stop using the product until all repairs are made using manufacturer authorised parts.
- Failure to follow these warnings could result in serious injury.

## DANGER


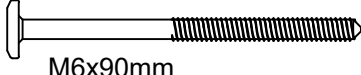

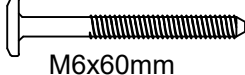







- CHILDREN MUST BE SUPERVISED.









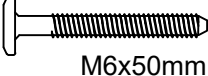
# Packing List

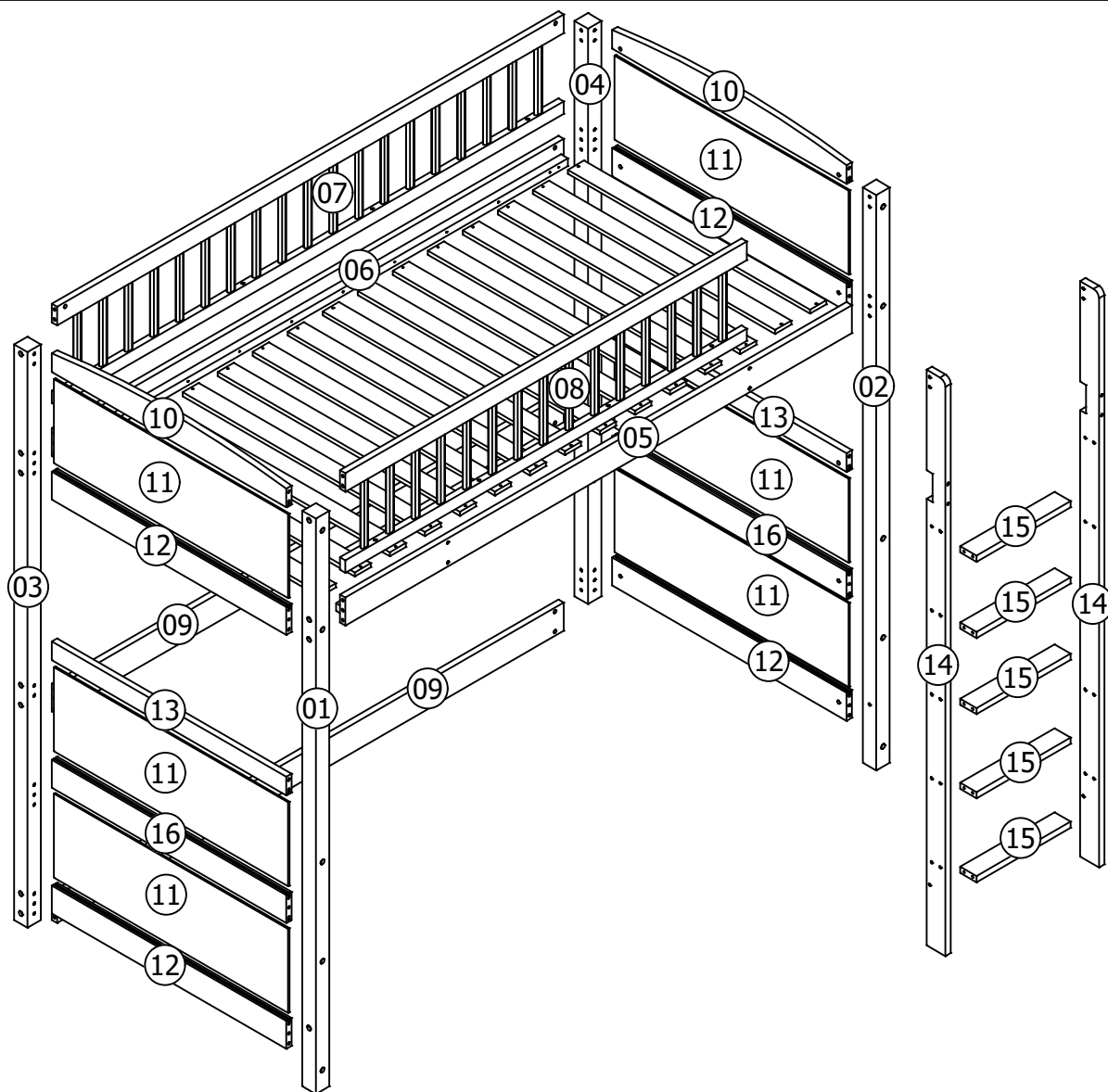
CARTON NUMBER	PART NUMBER	QUANTITY
<b>Carton 1</b> <b>Bed Frame</b>	1	1
	2	1
	3	1
	4	1
	5	1
	6	1
	9	2
	10	2
	12	4
	13	2
	14	2
	16	2
	HARDWARE	1
	INSTRUCTION BOOK	1
<b>Carton 2</b> <b>Bed Fence</b>	7	1
	8	1
	11	6
	15	5



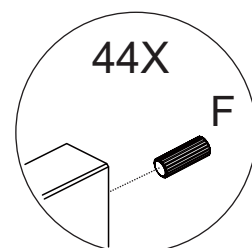
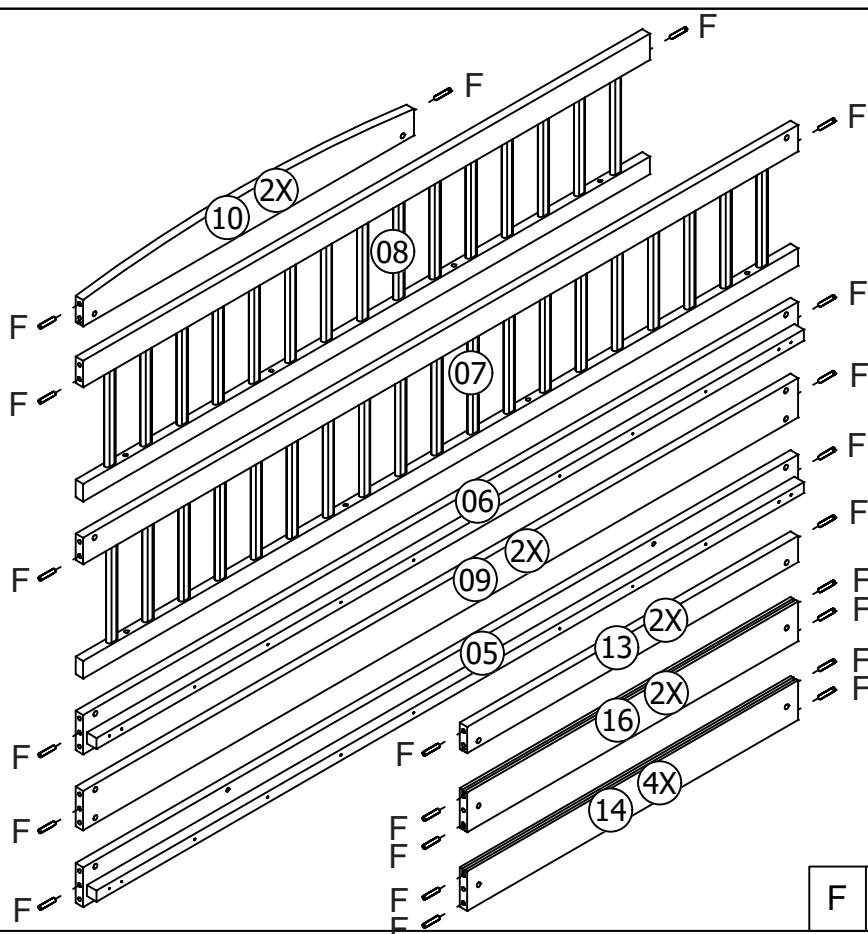
# HARDWARE

A	 15mm	 M6x90mm	39
B	 15mm	 M6x60mm	03
C		Ø10.5x16mm	40
D	 15mm	 M8x20mm	04
E	 10mm	 Ø7x60mm	20
F	 8mm	 Ø8x30mm	44

G	 8mm	 Ø4x30mm	38
H		4mm	02
I		 Ø8mm	09
J		 Ø15mm	42
K	 15mm	 M6x50mm	02

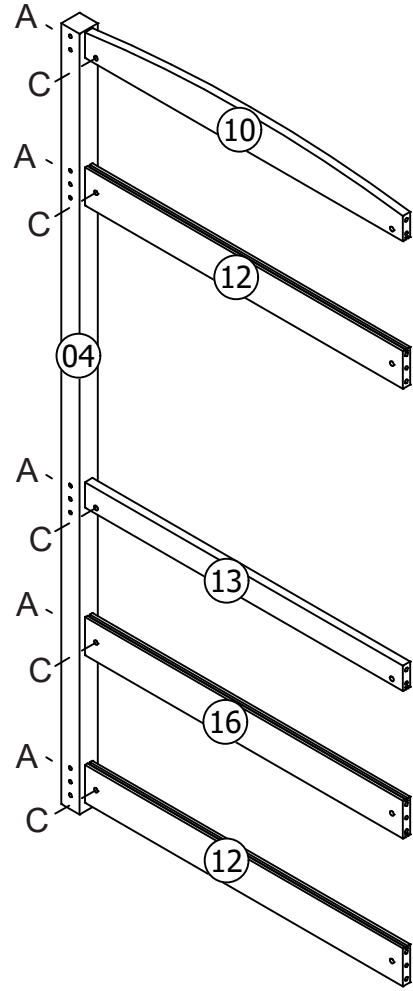
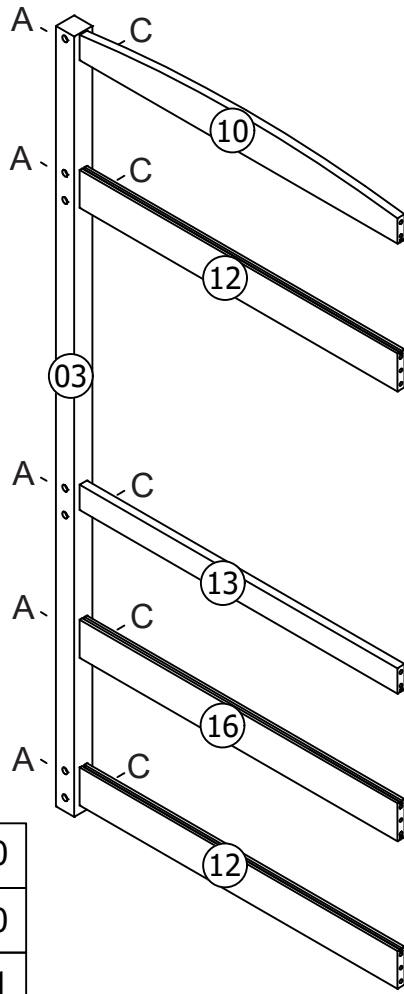
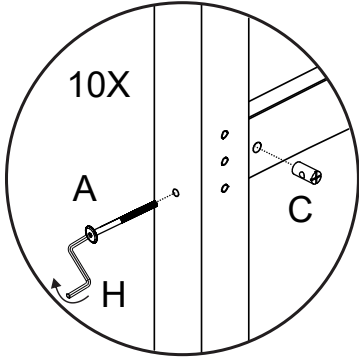



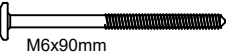


# 01



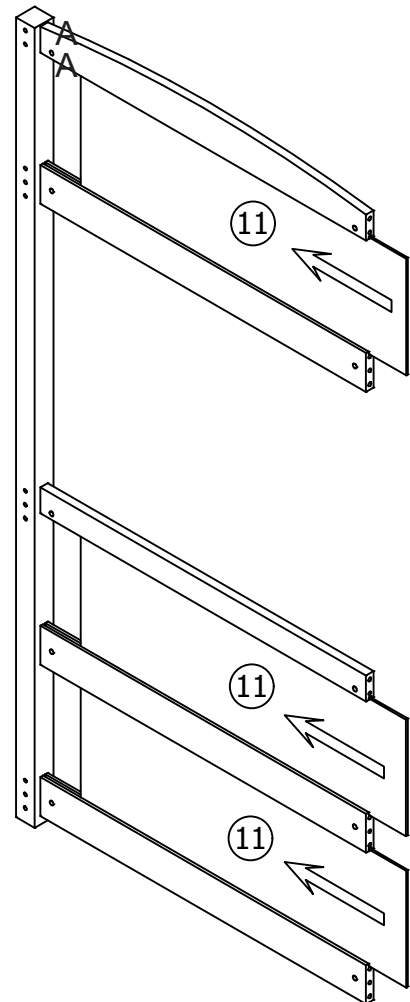
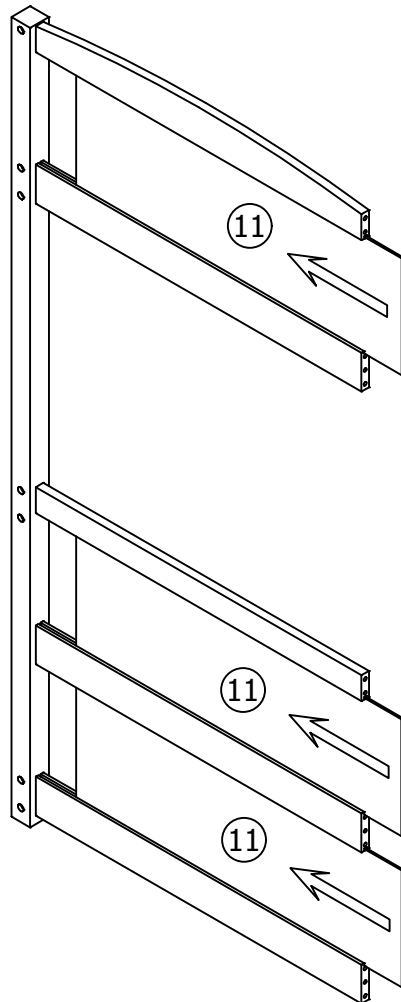
F	8mm	Ø8x30mm	44
---	-----	---------	----

# 02

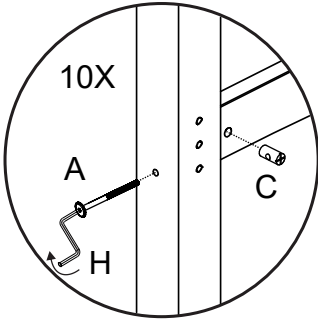
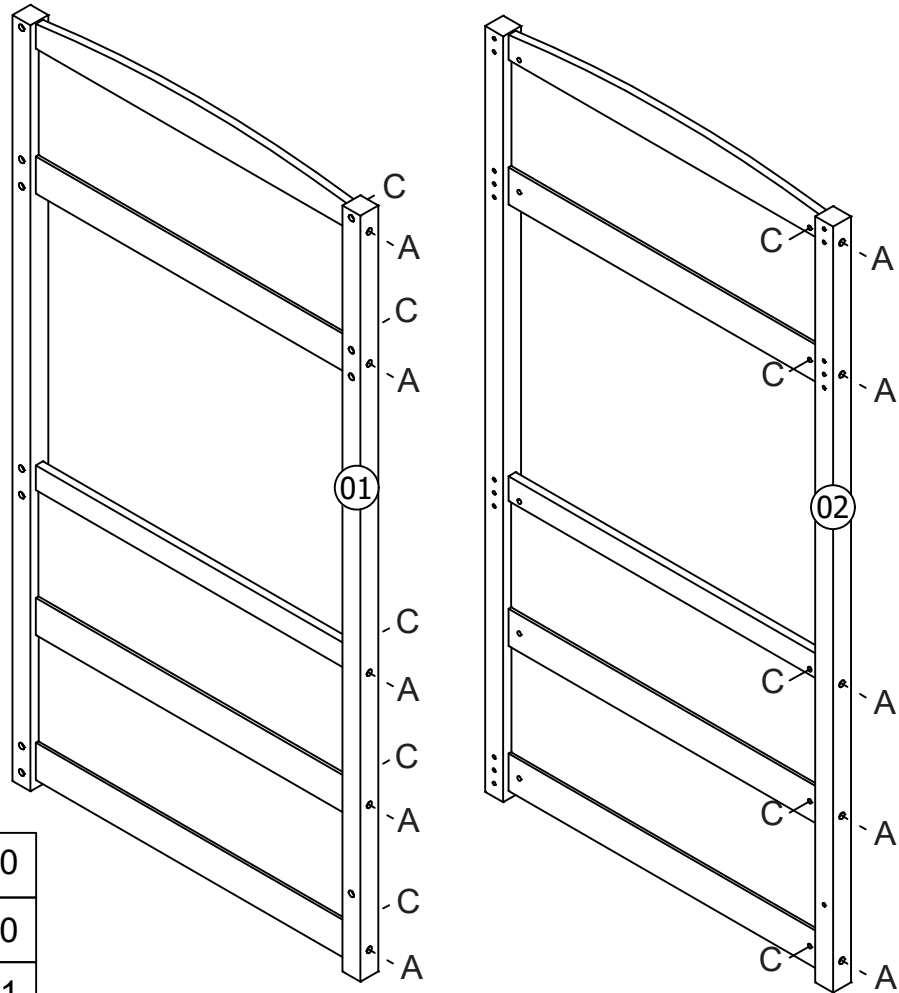





A	 15mm	 M6x90mm	10
C		Ø10.5x16mm	10
H		4mm	01

# 03

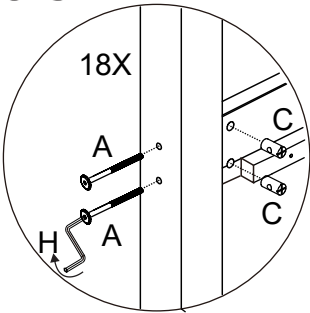
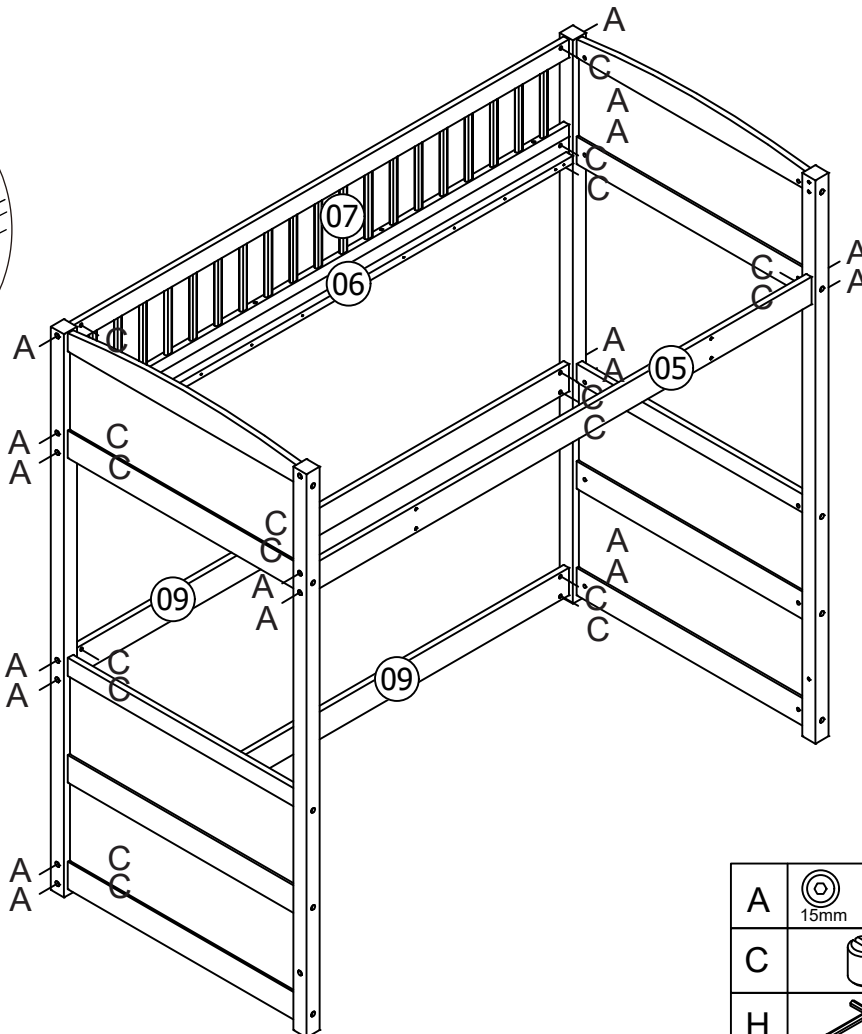




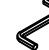
# 04



A	 15mm M6x90mm	10
C	 Ø10.5x16mm	10
H	 4mm	01

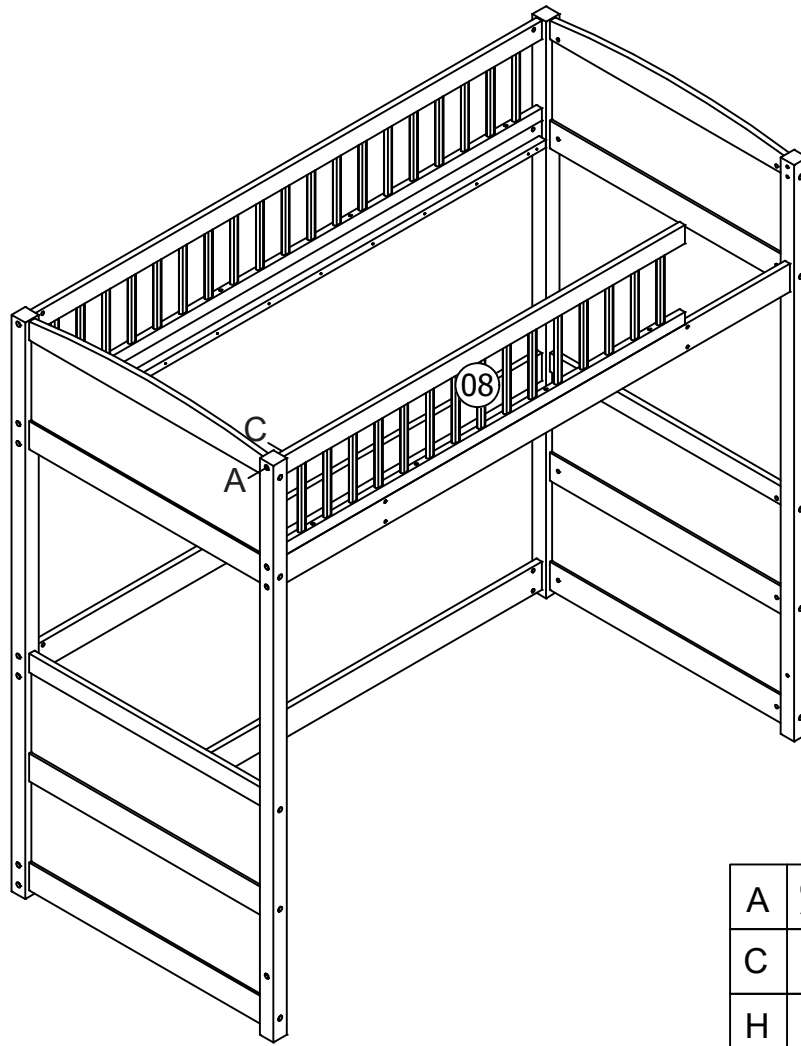
# 05


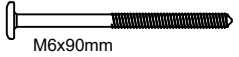




A	 15mm M6x90mm	18
C	 Ø10.5x16mm	18
H	 4mm	01

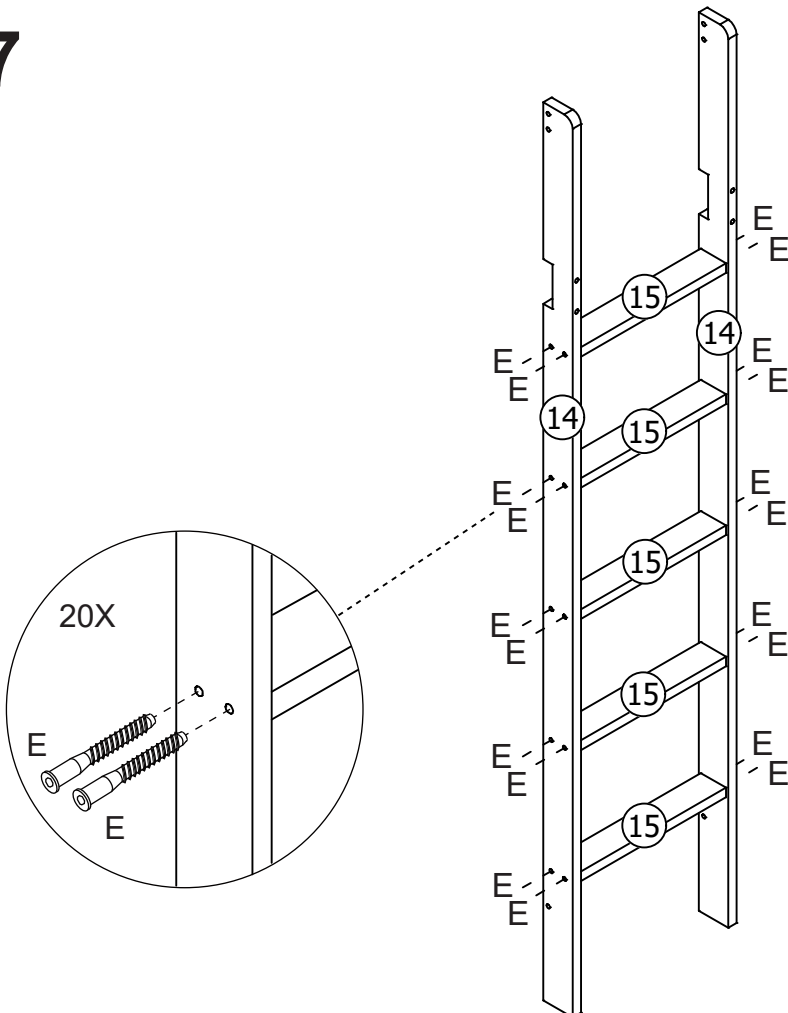



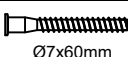

# 06



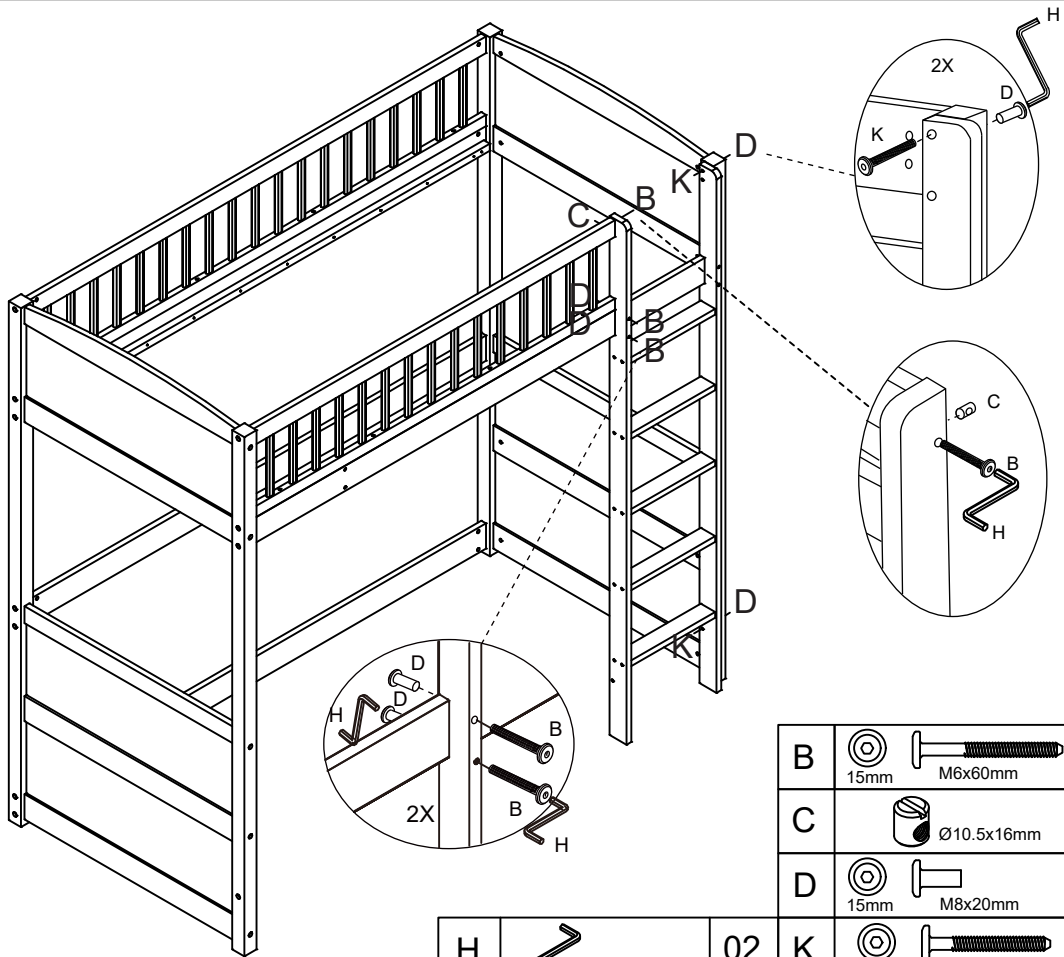
A	 15mm	 M6x90mm	01
C		Ø10.5x16mm	01
H		4mm	01




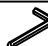

# 07



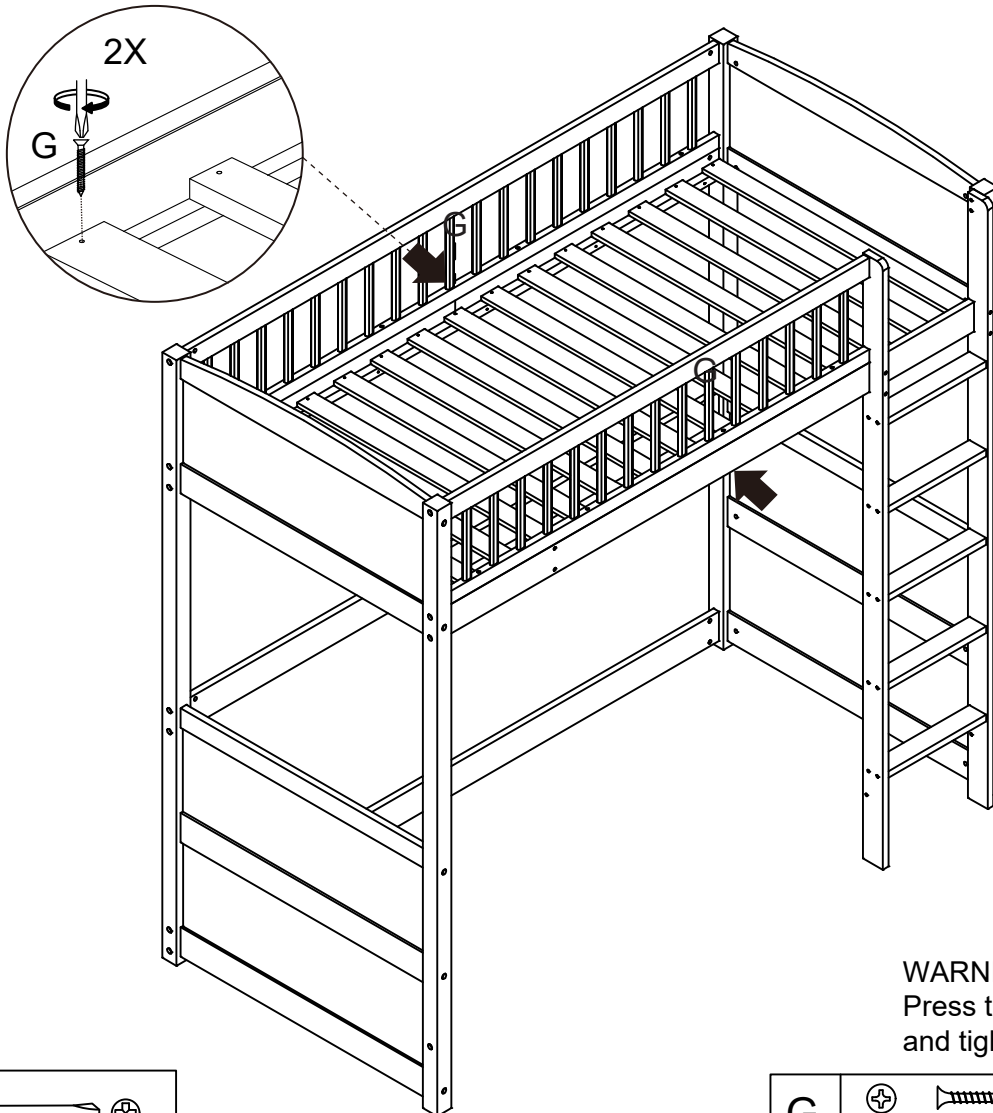
E	 10mm	 Ø7x60mm	20
H		4mm	01

# 08

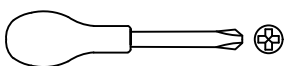



B		M6x60mm	03
C		Ø10.5x16mm	01
D		M8x20mm	04
H		4mm	02
K		M6x50mm	02

# 09

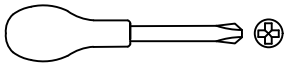
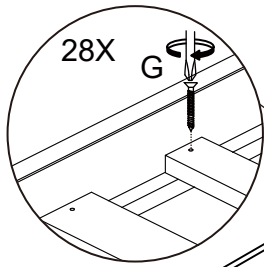



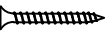
**WARNING:**  
Press the middle of bed sides  
and tighten the screw first.



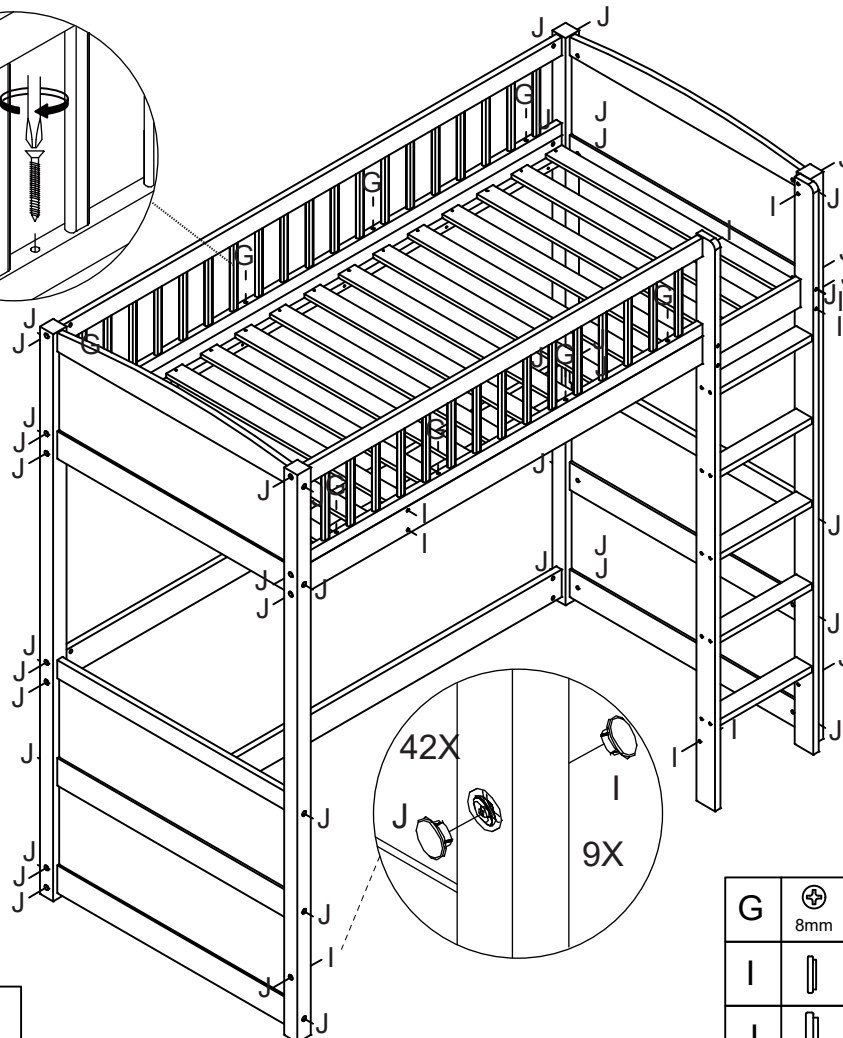
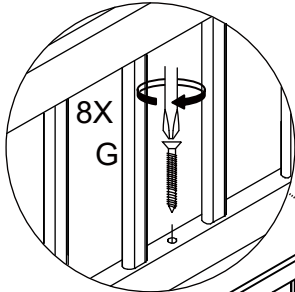
G		Ø4x30mm	02
---	---	---------	----







# 10



G		8mm		Ø4x30mm	28
---	---	-----	---	---------	----

# 11



G		8mm		Ø4x30mm	08
I				Ø8mm	09
J				Ø15mm	42

## IMPORTANT - READ CAREFULLY - RETAIN FOR FUTURE REFERENCE

### Safety Information

All assembly fixings should be tightened properly and care should be taken that no fittings are loose. Regular tightening of the bolts is recommended to extend the lifespan of the product. Please follow all the instructions when assembling the product and do not use power tools when building.

**Warning:** The product should not be used if any structural part is broken or missing. If any part is missing or broken report it and we will replace, do not attempt to fix the item or purchase additional parts not included with the bed; this will invalidate the warranty.

**Warning:** Children can strangle in items such as ropes, strings, cords, harnesses and belts attached to or hung on a bunk bed. Do not attach any such items to the product to prevent risk of serious injury.

**Warning:** High Beds and the upper bed of Bunk Beds are not suitable for children under 6-years due to the risk of injury from falls.

### Product Conformity

This product conforms to European Safety Standards - BS EN747:2012+A1:2015 Specification for Bunk Beds & High Beds.

### Mattress Requirements

Maximum thickness of mattress: 19cm, the max mattress thickness must not be over the maximum mattress thickness marking marked on the upper bed. Recommended size of the mattress: Length 190cm \*Width 90cm \*Depth 19cm.

### Return Information

If you have any problems with the item just email us at [info@noaandnani.co.uk](mailto:info@noaandnani.co.uk) and we can resolve it for you, our technical team will be able to assist in helping. If you have any parts that are damaged we can replace them for you. If you do need to return the item for some reason just email and request an RMA number.

### Assembly Information

We understand that self assembly furniture can be a pain but we try and make it as easy as possible for anyone to build, if you have found a problem with the assembly of the product or with the assembly instructions or you have comments on how we could improve them, we would love to hear from you. Just contact us either by email at [productadvice@noaandnani.co.uk](mailto:productadvice@noaandnani.co.uk) or via Live Chat on our website [noaandnani.co.uk](http://noaandnani.co.uk)

### Related Items

We have a matching range of items that compliment this product, just head to [noaandnani.co.uk](http://noaandnani.co.uk) for the full selection.

**NÖA & NANI**  
FAMILY FURNITURE



[noaandnani.co.uk](http://noaandnani.co.uk)