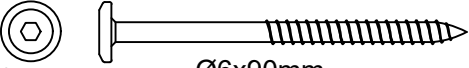
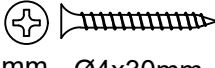
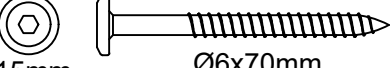

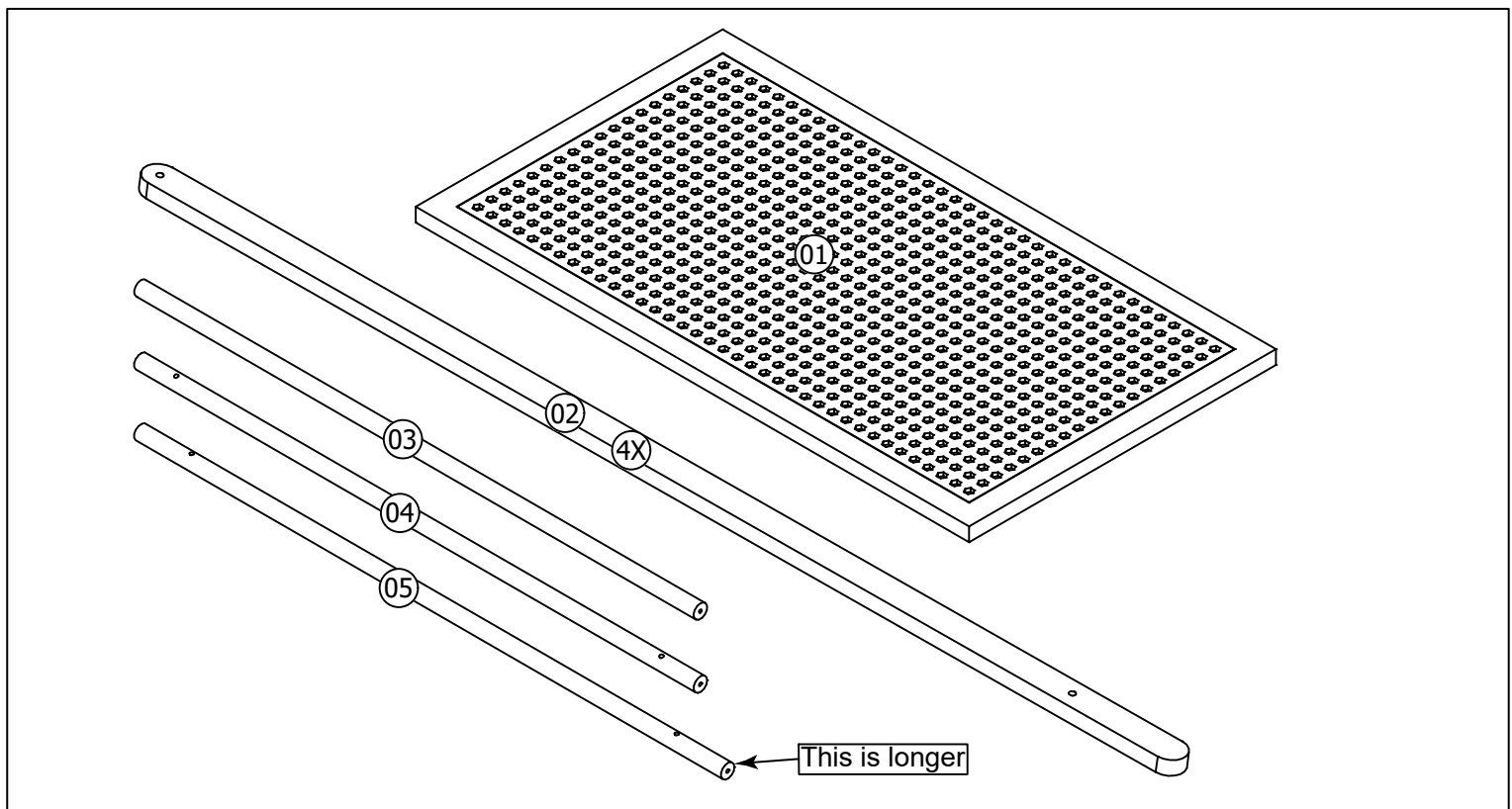
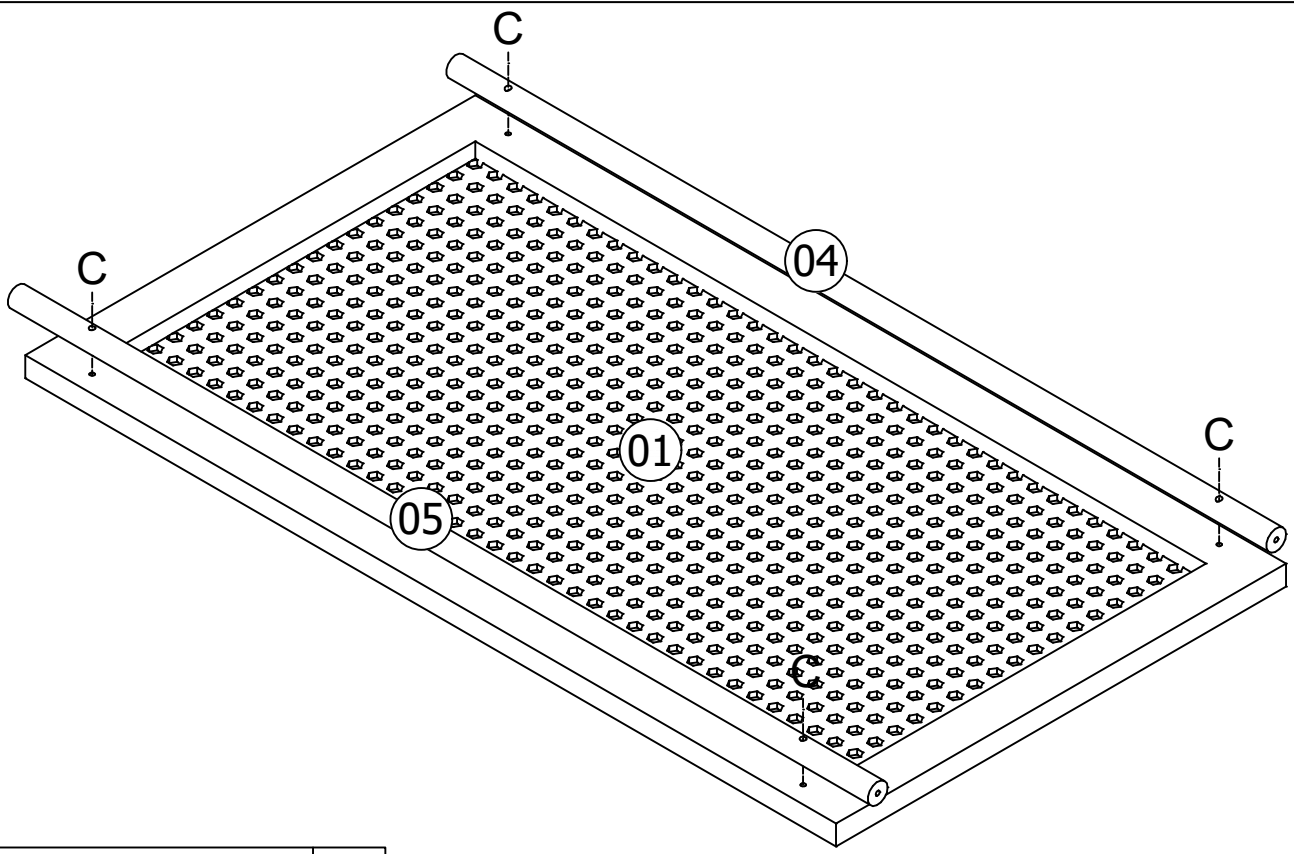


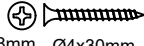
HARDWARE

A	 15mm $\varnothing 6 \times 90 \text{mm}$	02	C	 8mm $\varnothing 4 \times 30 \text{mm}$	04
B	 15mm $\varnothing 6 \times 70 \text{mm}$	04	D	 4mm	01

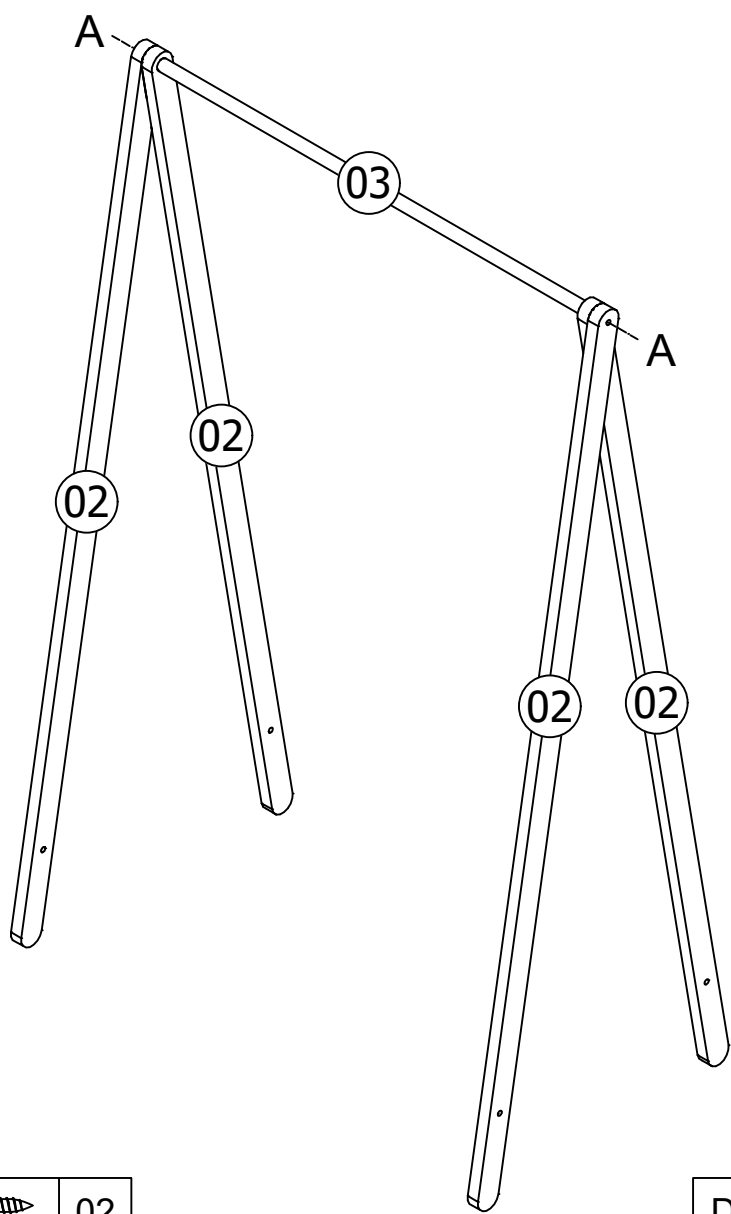



01




C	 8mm Ø4x30mm	04
---	--	----

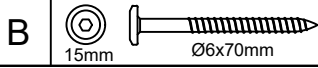
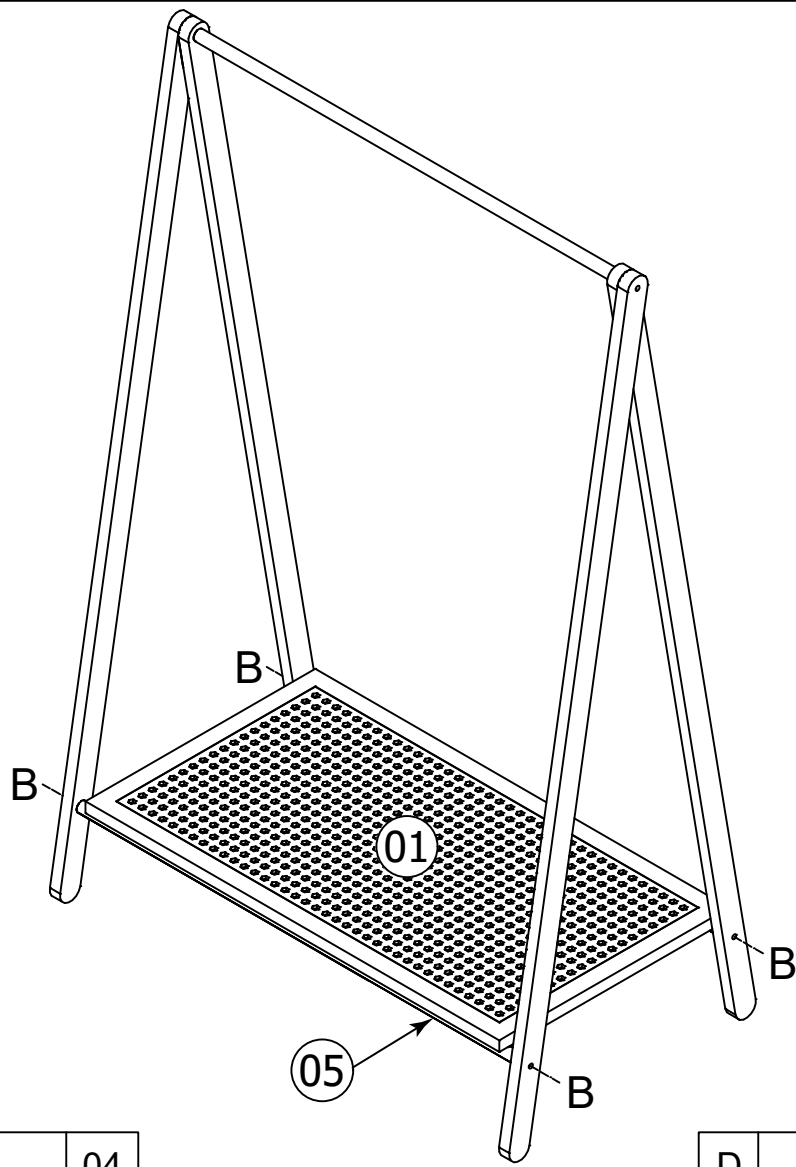
02



A	 15mm Ø6x90mm	02
---	---	----

D	 4mm	01
---	--	----

03



04



01

04

