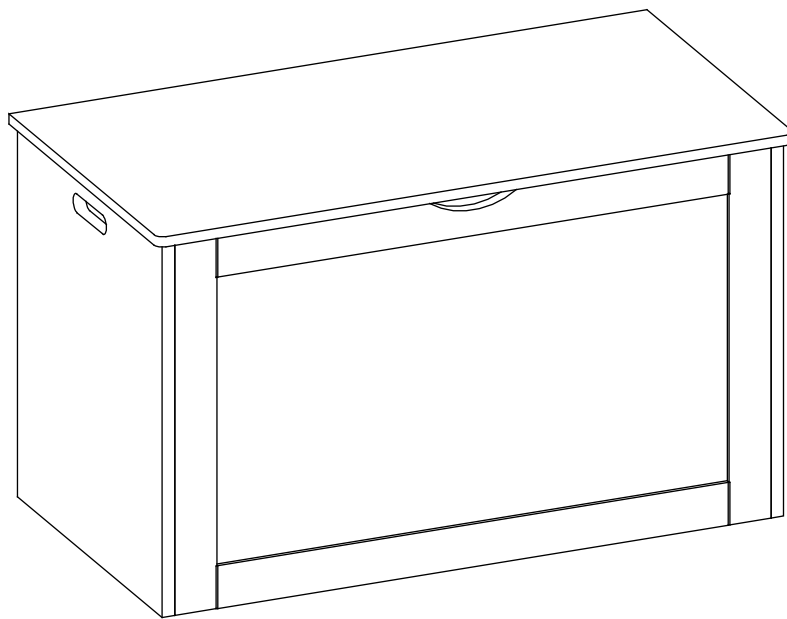


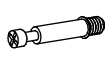
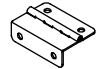

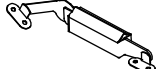



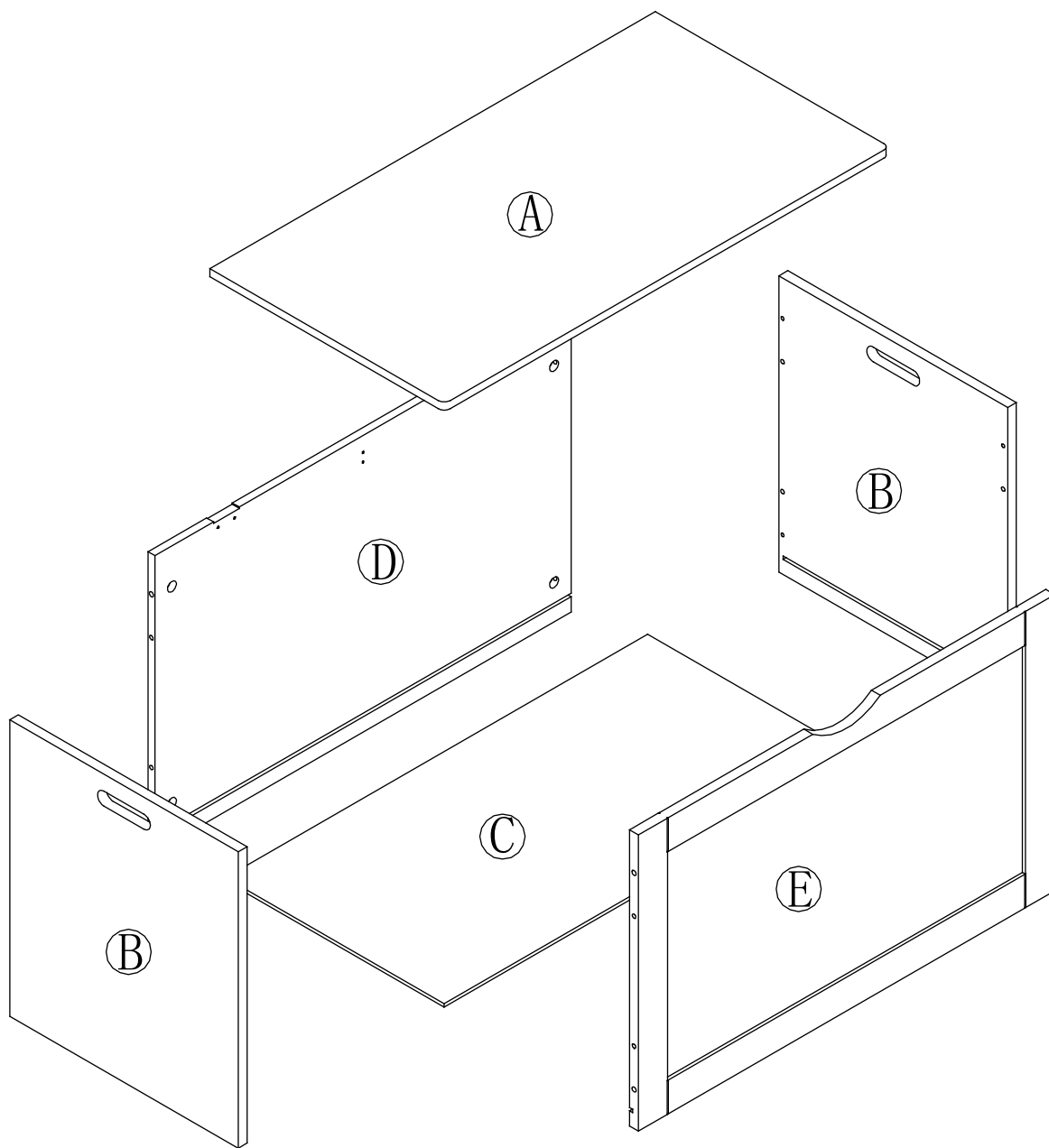
# ASSEMBLY INSTRUCTIONS

<<Before assembling, read all the instruction>>

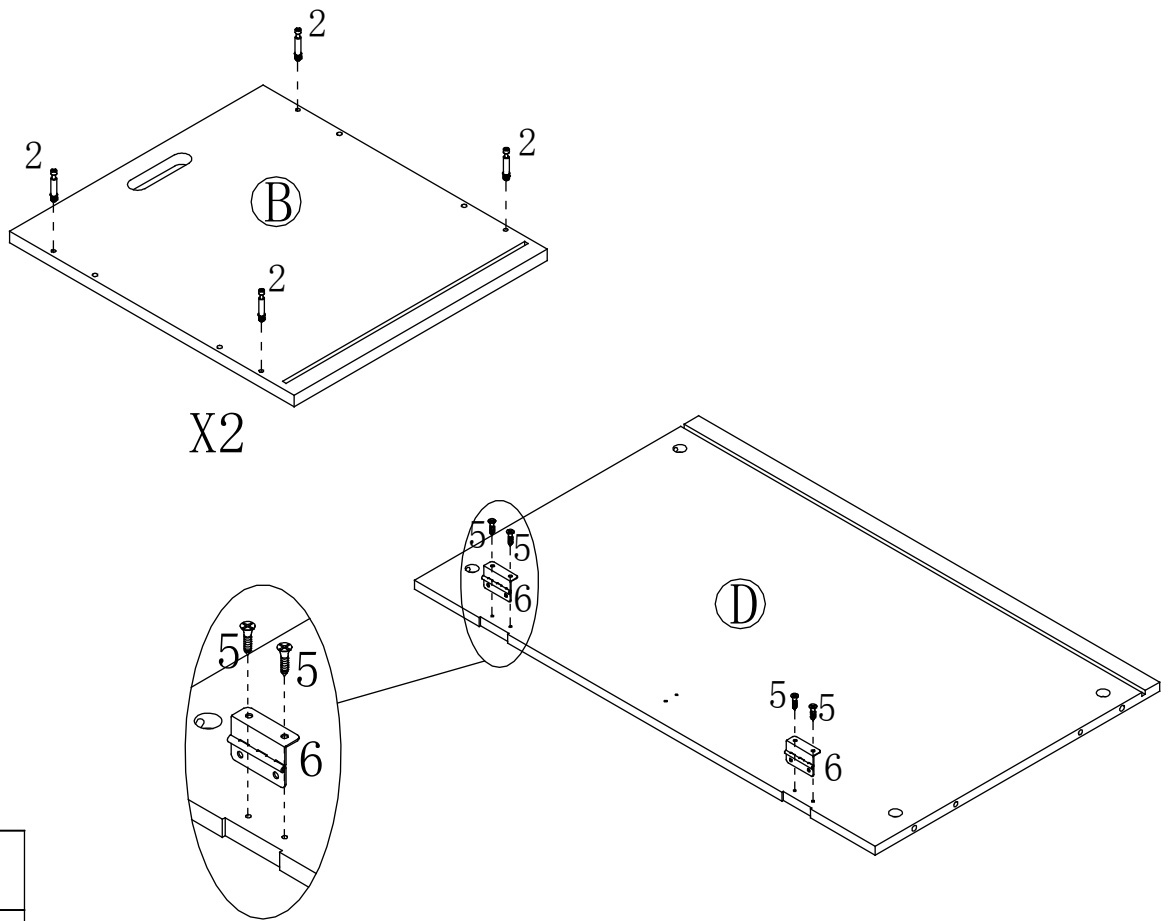


## Hardware:

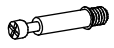
Letter	Draw	Number	Letter	Draw	Number
1	 6x30mm	8pcs	5	 3x10mm	12pcs
2	 6x35mm	8pcs	6	 2pcs	
3	 15x9.5mm	4pcs	7	 1pc	
4	 15x12mm	4pcs			



# Step1



X2



(2)x8pcs

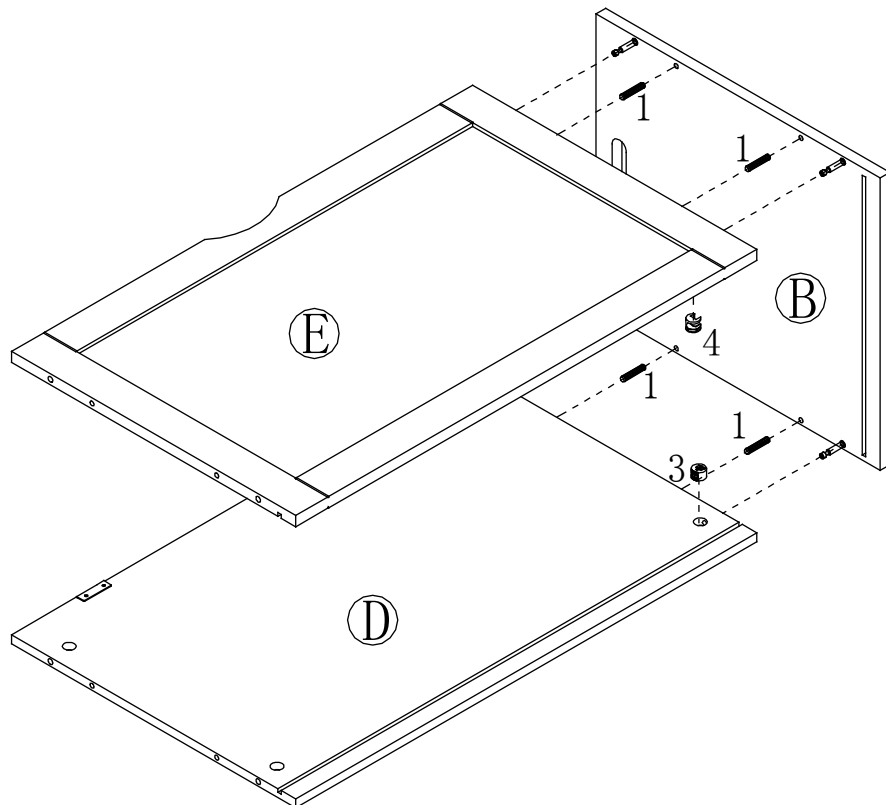


(5)x4pcs



(6)x2pcs

# Step2



(1)x4pcs

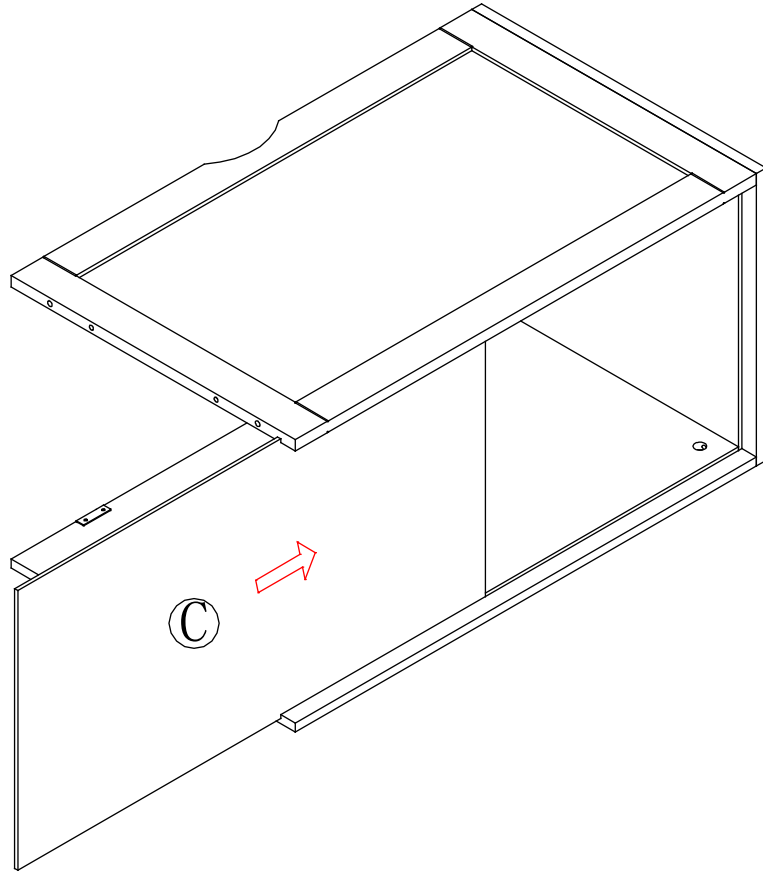


(3)x2pcs

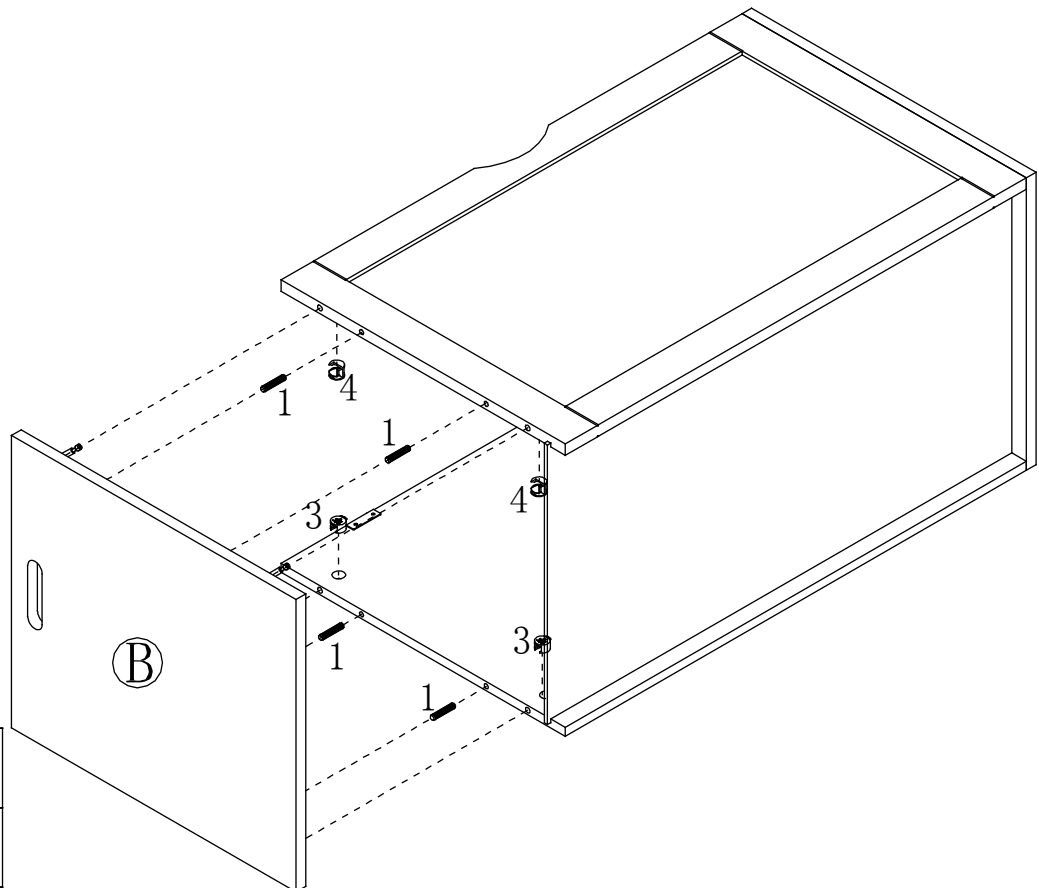


(4)x2pcs

### Step3



### Step4



(1)x4pcs

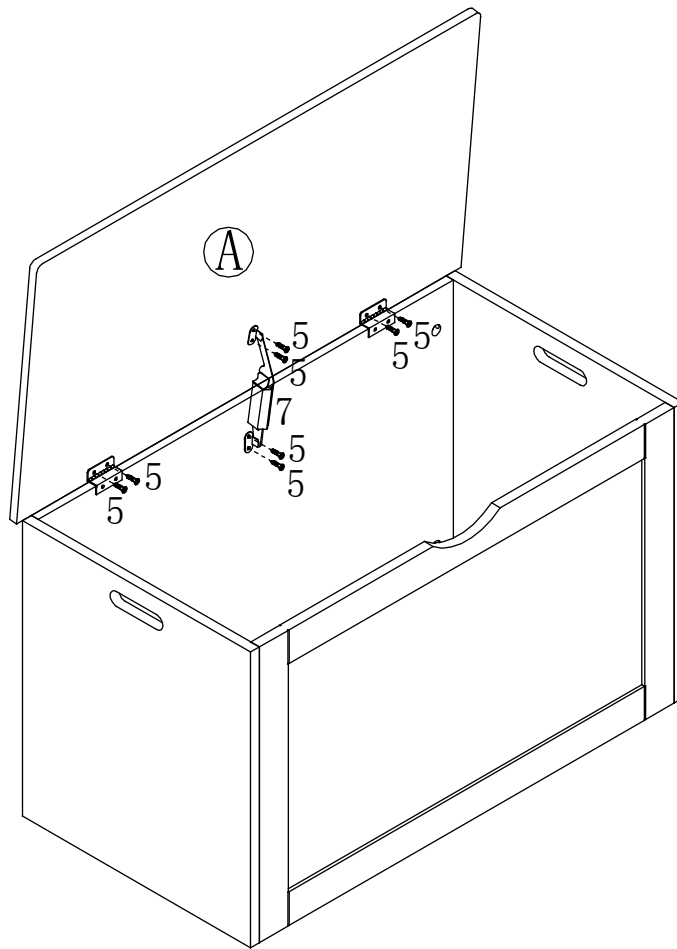


(3)x2pcs

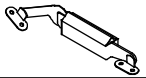


(4)x2pcs

## Step5



(5)x8pcs



(7)x1pc

## Step6

