


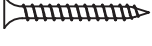


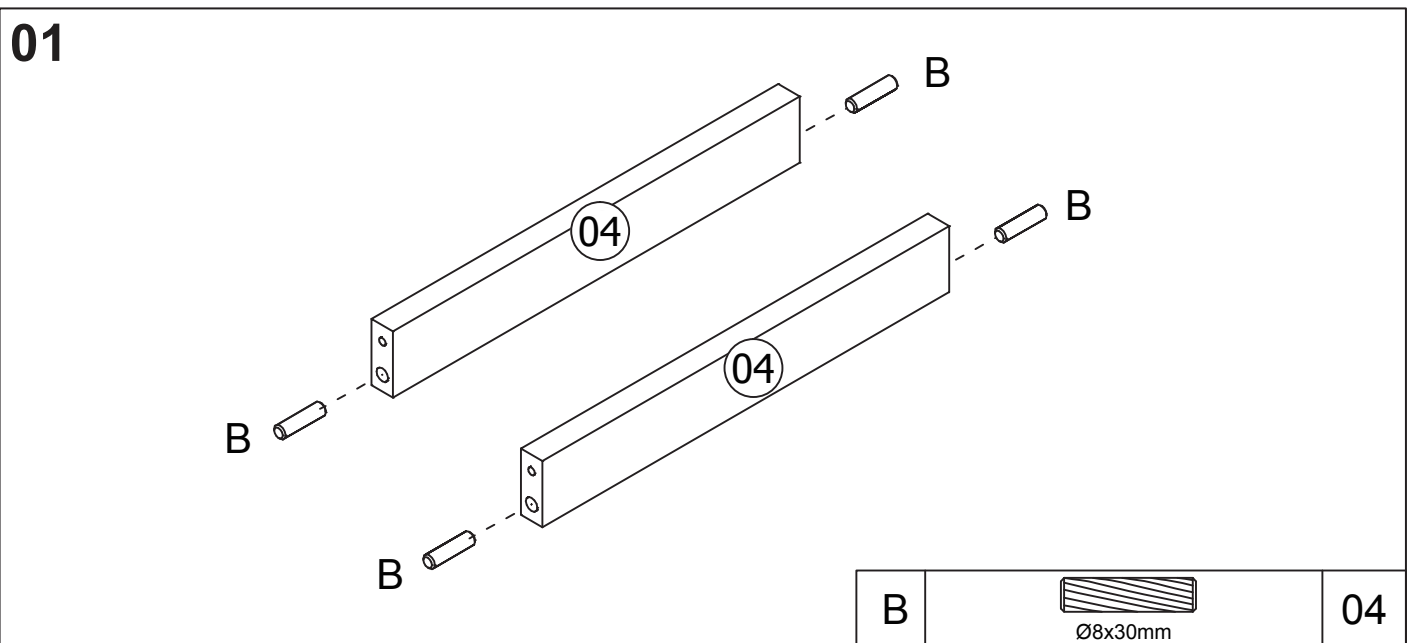
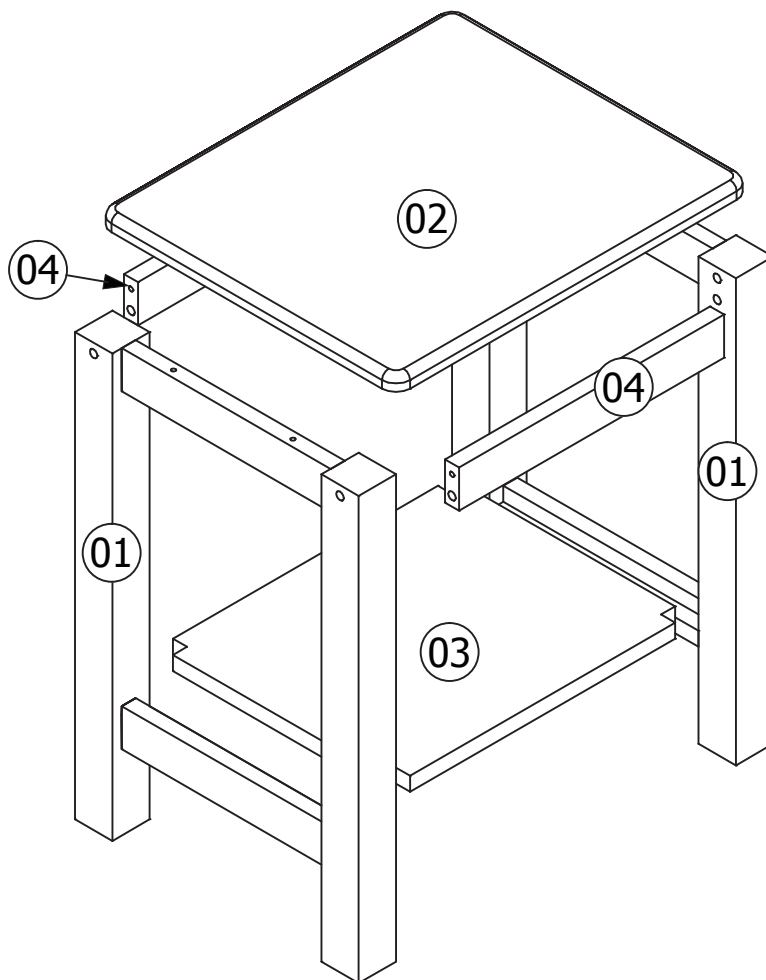


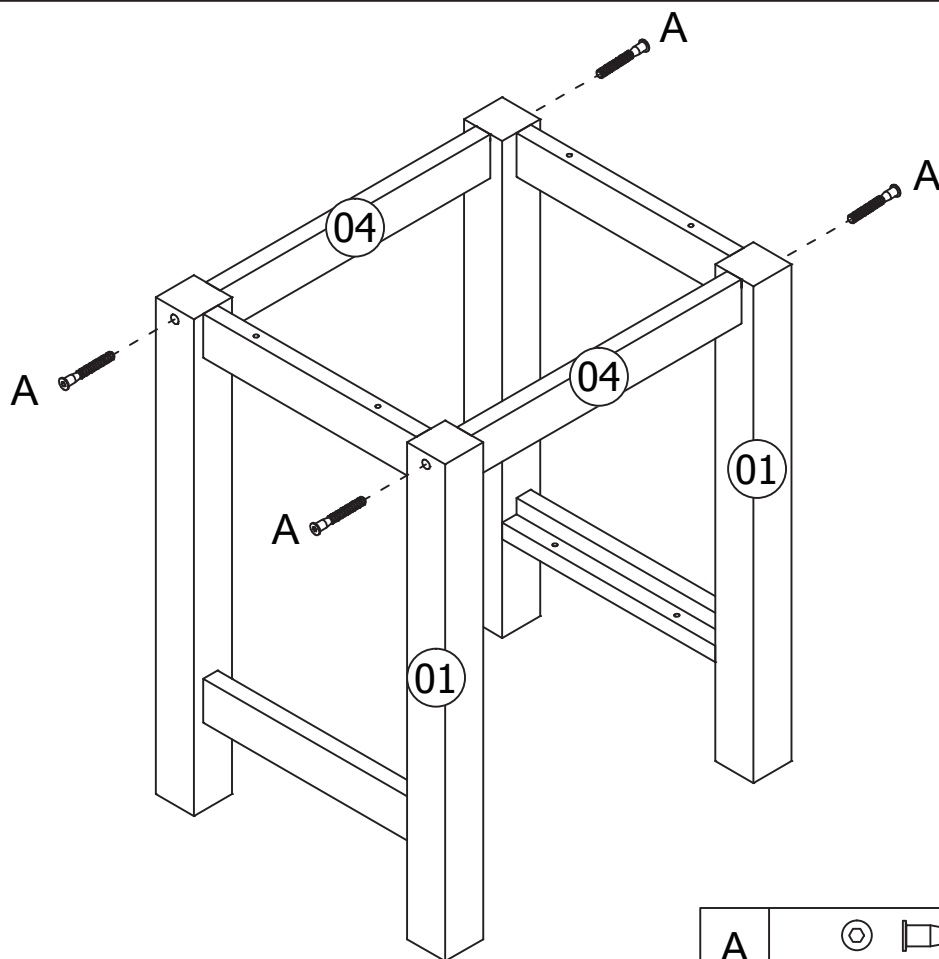
HARDWARE


A	  Ø7x60mm	04	C	  Ø4x30mm	08
B	 Ø8x30mm	04	D		01



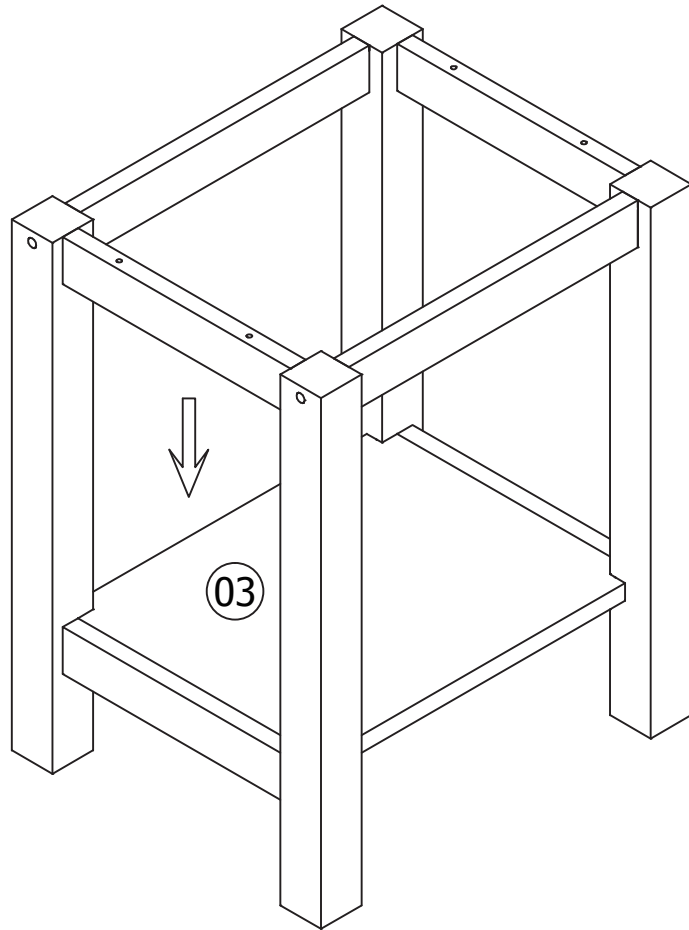


02

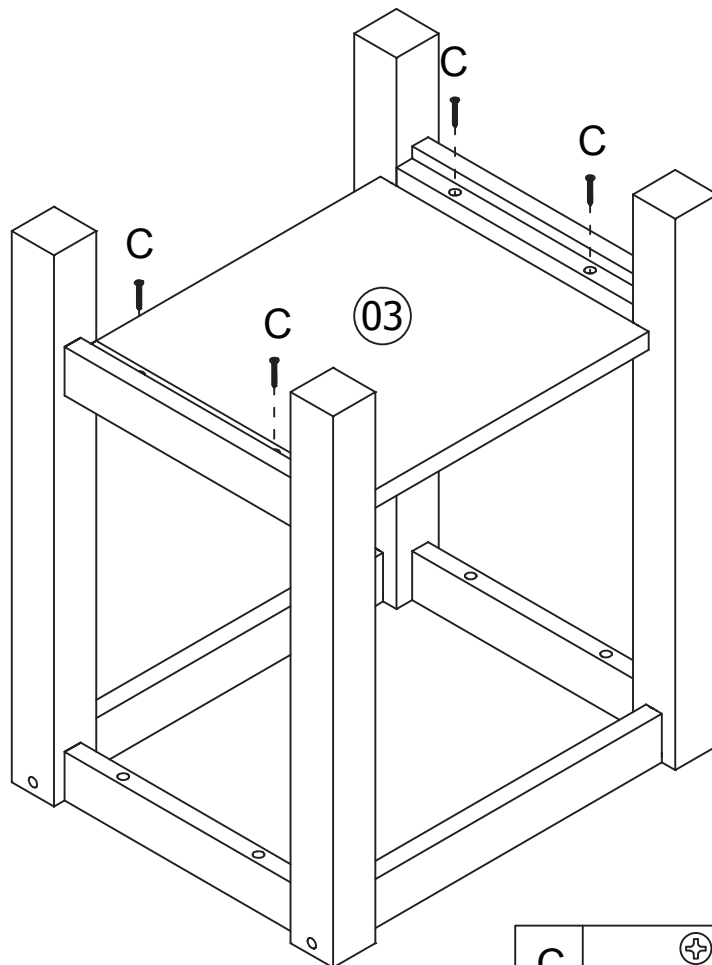




A	 Ø7x60mm	04
---	--	----

03

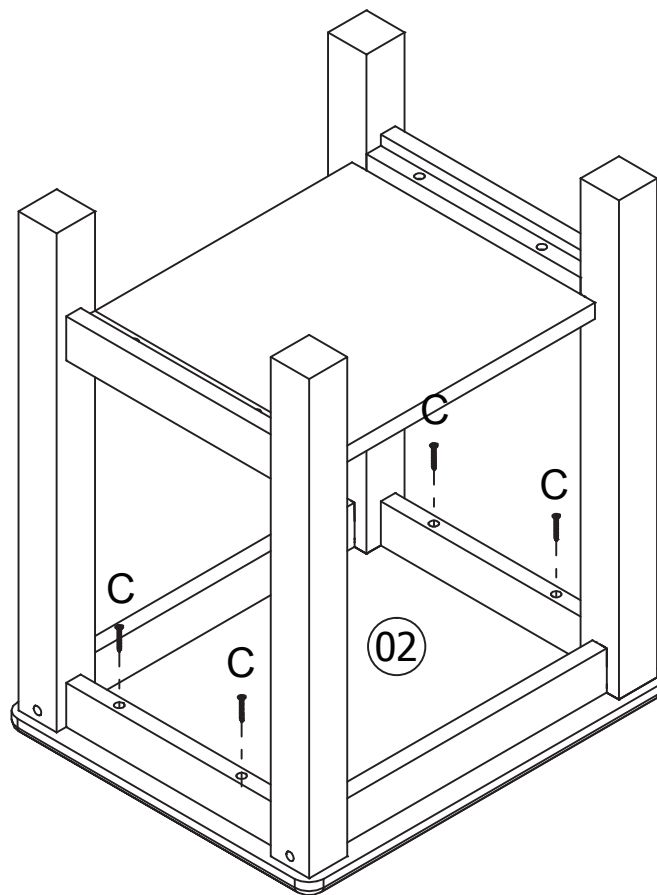



04



C	  Ø4x30mm	04
---	--	----

05



C	 $\varnothing 4 \times 30 \text{mm}$	04
---	---	----

06

